

AMA Specifications—Passenger Car

The information contained herein is prepared, distributed by, and is solely the responsibility of the automobile manufacturing company to whose products it relates. Questions concerning these specifications should be directed to the manufacturer whose address is shown below. This uniform specification form was developed by the automobile manufacturing companies under the auspices of the Automobile Manufacturers Association.

| | | | |
|---|--|------------------------------------|--|
| MANUFACTURER CHRYSLER-PLYMOUTH DIVISION CHRYSLER CORPORATION | | CAR NAME PLYMOUTH BELVEDERE | |
| MAILING ADDRESS DETROIT, MICHIGAN 48231 | | MODEL YEAR 1969 | ISSUED 8-5-68 REVISED (●) 2-13-69 |

NOTES:

1. The General Specifications herein are those in effect at date of compilation and are subject to change without notice by the manufacturer.
2. UNLESS OTHERWISE INDICATED:
 - a. Specifications apply to standard models without optional equipment. Significant deviations are noted.
 - b. Nominal design dimensions are used throughout these specifications.

TABLE OF CONTENTS

| | | | | | |
|-----------------------------|------|-------------------|--------|-------------------|----|
| Car & Body Dimensions | 1, 2 | Drive Units | 14 | Suspensions | 21 |
| Engine - Mechanical | 4 | Brakes..... | 18, 19 | Weights | 24 |
| Electrical..... | 12 | Steering | 20 | Index | 27 |

| BODY - TYPES AND STYLE NAMES - | | Body type, style names; use manufacturer's code for series & body style. | | | | | |
|--------------------------------|-----|--|----------------|-------------|--------------|----------------------|----------------------|
| | | 2-Door Coupe | 2-Door Hardtop | Conv. Coupe | 4-Door Sedan | 2-Seat Station Wagon | 3-Seat Station Wagon |
| | | 21 | 23 | 27 | 41 | 45 | 46 |
| Belvedere | Six | RL21 | | | RL41 | RL45 | |
| | V-8 | | | | | | |
| Road Runner | V-8 | RM21 | RM23 | RM27 | | | |
| Satellite | Six | | RH23 | RH27 | RH41 | RH45 | RH46 |
| | V-8 | | | | | | |
| Sport Satellite | | | RP23 | RP27 | RP41 | | |
| Sport Satellite Wagon | V-8 | | | | | RP45 | RP46 |
| GTX | | | RS23 | RS27 | | | |

AMA Specifications—Passenger Car

PLYMOUTH
 MAKE OF CAR BELVEDERE MODEL YEAR 1969 DATE ISSUED 8-5-68 REVISED (*) 2-13-69

CAR AND BODY DIMENSIONS

See Pages 25, 26 for SAE Dimension Definitions

(All dimensions in inches unless otherwise indicated)

All dimensions to ground are for comparative purposes only. Dimensions are to be shown for:
 4-Dr. Sedan, 2-Dr. H.T., 4-Dr. H.T., Convertible and Station Wagon.

| MODEL | SAE Ref. No. | 21, 23 | | 27 | | 41 | | 45, 46 |
|-------|--------------|--------|-----|-------|-----|-------|-----|--------|
| | | 6-Cyl | V-8 | 6-Cyl | V-8 | 6-Cyl | V-8 | All |

WIDTH

| | SAE Ref. No. | | | | | | | | |
|----------------------------|--------------|--------------------------|------|------|------|------|------|------|--|
| Track - Front | W101 | 59.5 (Road Runner: 59.9) | | | | | | | |
| Track - Rear | W102 | 58.5 | 59.2 | 58.5 | 59.2 | 58.5 | 59.2 | | |
| Maximum overall car width | W103 | 76.4 | | | | | | 76.5 | |
| Body width at No. 2 pillar | W117 | 73.4 | | | | 73.3 | | | |

LENGTH

| | SAE Ref. No. | | | | | | | | |
|---------------------------------------|--------------|-------|--|------|--|-------|--|------|--|
| Body "O" to front of dash | L 30 | 0.26 | | | | | | | |
| Wheelbase | L101 | 116 | | | | | | 117 | |
| Overall car length | L103 | 202.7 | | | | | | 208 | |
| Overhang - front | L104 | 33.7 | | | | | | | |
| Overhang - rear | L105 | 53.2 | | | | | | 57.8 | |
| Body upper structure length | L123 | 103.9 | | 98.6 | | 104.3 | | -- | |
| Body "O" line to ϕ of rear wheel | L127 | 99.3 | | | | | | 100 | |
| Body "O" line to w/s cowl point | L130 | 10.3 | | | | | | | |

HEIGHT

| | SAE Ref. No. | 2-front; 3-rear | | | | | | | |
|---------------------------------------|--------------|-------------------------|---------|----------|---------|--------|------|------|------|
| Passenger Distribution (front & rear) | | None | | | | | | | |
| Trunk/Cargo load (lbs.) | | None | | | | | | | |
| Overall height | H101 | 53.0 (a) | | 54.0 (b) | | 54.7 | | 56.4 | |
| Cowl height | H114 | 37.2 | 37.3(c) | 37.2 | 37.3(c) | 37.2 | 37.3 | 38.1 | |
| Deck height | H138 | 36.1 (d) | | 36.6 | 36.5(e) | 36.1 | 36.0 | -- | |
| Rocker panel - front | H112 | To ground | 7.7 | 7.7(f) | 7.7 | 7.7(f) | 7.7 | | 8.7 |
| | | From front wheel ϕ | 30.3 | | | | | | |
| Rocker panel - rear | H111 | To ground | 7.2 | 7.2(g) | 7.2 | 7.2(g) | 7.2 | | 8.5 |
| | | From rear wheel ϕ | 18.2 | | | | | | 18.9 |
| Windshield slope angle | H122 | 51° 41' | | | | | | | |

GROUND CLEARANCE

| | SAE Ref. No. | | | | | | | | |
|----------------------------------|--------------|-------------------|---------|------|---------|------|------|--------|--|
| Bumper to ground - front | H102 | 11.6 (h) | | | | | | 12.7 | |
| Bumper to ground - rear | H104 | 11.1 | 11.0(j) | 11.1 | 11.0(j) | 11.1 | 11.0 | 11.9 | |
| Angle of approach | H106 | 20.1 (k) | | | | | | 22.1 | |
| Angle of departure | H107 | 12.1 | 12.0(l) | 12.1 | 12.0(l) | 12.1 | 12.0 | 11.9 | |
| Ramp breakover angle | H147 | 12.6 | 12.8(m) | 12.6 | 12.8 | 12.6 | 12.8 | 14.5 | |
| Min. running clearance (Specify) | H156 | 5.3 (n) (muffler) | | | | | | 6.6(o) | |

(a) Road Runner: 53.1; GTX: 53.4
 (b) Road Runner: 54.1; GTX: 54.4
 (c) GTX: 37.5
 (d) GTX: 36.6; Road Runner: 36.2
 (e) Road Runner: 36.7; GTX: 37.0
 (f) Road Runner: 7.8; GTX: 8.1
 (g) Road Runner: 7.3; GTX: 7.7

(h) Road Runner: 11.7; GTX: 12.0
 (j) Road Runner: 11.2; GTX: 11.6
 (k) Road Runner: 20.3; GTX: 20.9
 (l) Road Runner: 12.2; GTX: 12.6
 (m) GTX: 13.4
 (n) Road Runner: 5.4; GTX: 5.8
 (o) V-8: 6.7

AMA Specifications—Passenger Car

PLYMOUTH
 MAKE OF CAR BELVEDERE MODEL YEAR 1969 DATE ISSUED 8-5-68 REVISED (#) 2-13-68

CAR AND BODY DIMENSIONS

See Pages 25, 26 for SAE Dimension Definitions
 (All dimensions in inches unless otherwise indicated)

| MODEL | SAE Ref. No. | 21 | | 23 | | 27 | | 41 | 45 | 46 |
|-------|--------------|----|----|-------|-------|-------|-------|------------|-------|----|
| | | RL | RM | RH RM | RP RS | RH RM | RP RS | RL, RH, RP | RH RP | |

FRONT COMPARTMENT

| | | | | | | | |
|----------------------------------|-----|------|------|------|------|------|----------|
| Effective head room | H61 | 37.3 | | 39.3 | | 38.6 | 39.4 |
| Max. eff. leg room – accelerator | L34 | 41.8 | 41.4 | 41.8 | 41.4 | 41.9 | |
| H Point to Heel point | H30 | 8.1 | | | | 8.6 | |
| H Point travel | L17 | | | 4.5 | | | |
| Shoulder room | W 3 | | | 58.1 | | | |
| Hip room | W 5 | 60.6 | 60.5 | 60.6 | 60.5 | 60.4 | |
| Upper body opening to ground | H50 | 48.3 | | 49.5 | | 49.6 | 49.8 (d) |

REAR COMPARTMENT

| | | | | | | | |
|------------------------------|-----|------|------|------|------|------|----------|
| H Point couple distance | L50 | 31.5 | 31.9 | 32.0 | 32.4 | 34.0 | |
| Effective head room | H63 | 36.7 | | 37.2 | | 37.4 | 39.3 |
| Min. effective leg room | L51 | 33.1 | 34.1 | 34.0 | 34.6 | 36.3 | |
| H Point to Heel point | H31 | 9.9 | | | | 11.0 | |
| Min. knee room | L48 | 2.1 | 3.3 | 2.5 | 3.7 | 3.8 | |
| Rear Compartment room | L 3 | 25.8 | 26.0 | 25.5 | 25.7 | 27.8 | 27.5 |
| Shoulder room | W 4 | 58.1 | | 48.6 | | 58.1 | |
| Hip room | W 6 | 60.6 | | 45.7 | | 60.4 | |
| Upper body opening to ground | H51 | -- | | | | 49.2 | 50.1 (e) |

LUGGAGE COMPARTMENT

| | | | | | | | |
|--------------------------------|------|-------------|------|-------|-----|-------|------|
| Usable luggage capacity | V 1 | | | | | 15.9 | |
| Liftover height | H195 | (a) | 23.4 | (b) | (c) | (b) | (c) |
| Position of spare tire storage | | Shelf | | Floor | | Shelf | Well |
| Method of holding lid open | | Torsion bar | | | | | -- |

STATION WAGON – THIRD SEAT

| | | | |
|-----------------------|-----|----|------|
| Shoulder Room | W85 | -- | 50.5 |
| Hip room | W86 | -- | 41.5 |
| Effective leg room | L86 | -- | 31.8 |
| Effective head room | H86 | -- | 35.0 |
| Seat facing direction | | -- | Rear |

STATION WAGON – CARGO SPACE

| | | | |
|--|------|----|------|
| Cargo length at floor – front seat | L202 | -- | 91.7 |
| Cargo length at belt – front seat | L204 | -- | 80.9 |
| Cargo width – Wheelhouse | W201 | -- | 45.3 |
| Opening width at belt | W204 | -- | 49.8 |
| Maximum cargo height | H201 | -- | 31.2 |
| Rear opening height | H202 | -- | 30.0 |
| Cargo volume index (cu. ft.) W4 x L204 x H201 1728 | V2 | -- | 84.9 |

(a) 6-cylinder: 23.3; V-8: 23.2

(b) RH, 6-cylinder: 23.3; V-8: 23.2; RM: 23.4

(c) RP: 23.2; RS: 23.8

(d) 50.7 for V-8 models

(e) 50.5 for V-8 models

AMA Specifications—Passenger Car

PLYMOUTH
 MAKE OF CAR BELVEDERE MODEL YEAR 1969 DATE ISSUED 8-6-68 REVISED ^(e)

POWER TEAMS

(Indicate whether standard or optional)

| MODEL AVAILABILITY | | ENGINE | | | | | TRANSMISSION | AXLE RATIO (a) (Std. first) (Indicate A C ratio) |
|-------------------------------------|-------------------------------------|-------------------|------------|-----------------|---------------|---------------|----------------|--|
| | | Displ. cu. in. | Carburetor | Compr. Ratio | BHP RPM | Torque RPM | | |
| 6-Cyl | Std L & H | 225 | 1, 1-V | 8.4 | 145 @ 4000 | 215 @ 2400 | Manual | 3.23, 3.55** |
| | | | | | | | Automatic | 2.93**, 3.23, 2.94, 3.55**(b) |
| V-8 | Std L, H & P | 318 | 1, 2-V | 9.2 | 230 @ 4400 | 340 @ 2400 | Manual 3-Speed | 2.94, 3.23, 3.55** |
| | | | | | | | Automatic | 2.71**, 3.23, 3.55**, 2.94(c) |
| | | | | | | | Automatic | 2.76**, 3.23, 3.55, 2.94 |
| | Opt L, H & P | 383 | 1, 2-V | 9.2 | 290 @ 4400 | 390 @ 2800 | Automatic | 2.76, 2.94**, 3.23 |
| | Std M | 383 Hi-Perf | 1, 4-V | 10.0 | 335 @ 5200 | 425 @ 3400 | Manual 4-Speed | 3.23, 3.55 |
| | | | | | | | Automatic | 3.23, 3.55 |
| | Opt L, H & P | 383 | 1, 4-V | 10.0 | 330 @ 5000 | 425 @ 3200 | Manual 4-Speed | 3.23, 3.55 |
| | | | | | | | Automatic | 3.23, 3.55 |
| | Opt L, M, H, P & S Exc 45, 46 | 426 | 2, 4-V | 10.25 | 425 @ 5000 | 490 @ 4000 | Manual 4-Speed | 3.54* |
| | | | | | | | Automatic | 3.23, 3.54* |
| Std S | 440 Hi-Perf | 1, 4-V | 10.10 | 375 @ 4600 | 480 @ 3200 | Manual | 3.54* | |
| | | | | | | Automatic | 3.23, 3.54* | |
| * SURE-GRIP only ** NA SURE-GRIP | | | | | | | | |

(a) Axle ratios also available in SURE-GRIP. Standard axle ratio used with and without AC.

(b) For station wagon 2.93 NA; 3.23 Standard

(c) Except station wagon

AMA Specifications—Passenger Car

PLYMOUTH
MAKE OF CAR BELVEDERE **MODEL YEAR** 1969 **DATE ISSUED** 8-7-68 **REVISED** (*) 2-13-69

See Page 3 for Engine Usage

| MODEL | 225 CID | 318 CID | 383 CID, 2V | 383 CID, 4V | 383 CID,4V Hi-Perf | 440 CID Hi-Perf | 426 CID Hemi |
|---|---|-------------|-----------------|----------------|-----------------------|--------------------|-----------------|
| ENGINE – GENERAL | | | | | | | |
| Type, no. cyls., valve arr. | In-line, 6, OHV | | 90° V-8, OHV | | | | |
| Bore and stroke (nominal) | 3.4 x 3.125 | 3.91 x 3.31 | 4.25 x 3.38 | | 4.32 x 3.75 | 4.25 x 3.75 | |
| Piston displacement, cu. in. | 225 | 318 | 383 | | 440 | 426 | |
| Bore spacing (C to C) | (a) | 4.46 | 4.8 | | | | |
| No. system (front to rear) | L. Bank | -- | 1-3-5-7 | | | | |
| | R. Bank | -- | 2-4-6-8 | | | | |
| Firing order | 1-5-3-6-2-4 | | 1-8-4-3-6-5-7-2 | | | | |
| Compres. ratio (nominal) | 8.4 | 9.2 | 10.0 | | 10.1 | 10.25 | |
| Cylinder Head Material | Cast iron | | | | | | |
| Cylinder Block Material | Cast iron | | | | | | |
| Cyl. Sleeve-Wet, dry, none | None | | | | | | |
| Number of mtg. points | Front | Two | | | | | |
| | Rear | One | | | | | |
| Engine installation angle | Lateral: 0°; Inclined rear to front: 20°35' | | | | | | |
| Taxable horsepower | 27.7 | | 48.9 | | 57.8 | | 59.7 |
| Publishing max. bhp* @ eng. RPM | 145 @ 4000 | | 230 @ 4400 | | 290 @ 4400 | | 330 @ 5000 |
| | 335 @ 5200 | | 375 @ 4600 | | 425 @ 3400 | | 425 @ 4000 |
| Publishing max. torque * (lb. ft. @ RPM) | 215 @ 2400 | | 340 @ 2400 | | 390 @ 2800 | | 425 @ 3200 |
| | 480 @ 3200 | | 490 @ 4000 | | 480 @ 3200 | | |
| Recommended fuel regular – premium | Regular | | | | Premium | | |

ENGINE – PISTONS

| | | | | | | | |
|--------------------------|------------|--|------------------|-----------|--|------|------|
| Material | | Aluminum alloy | | | | | |
| Description and finish | | Closed slipper-type, steel strut, elliptically turned, tin-plated | | | | | (b) |
| Weight (piston only) oz. | | 16.4 | 20.9 | 27.2 | | 30.2 | 29.7 |
| Clearance (limits) | Top land | .024 min. | .018 min. | .022 min. | | | |
| | Skirt | Top | .0005 to .0015 | | | | |
| | | Bottom | .00025 to .00125 | | | | |
| Ring groove depth | No. 1 ring | .179 | .205 | .220 | | .224 | .215 |
| | No. 2 ring | .179 | .205 | .220 | | .224 | .215 |
| | No. 3 ring | .181 | .193 | .208 | | .193 | .191 |
| | No. 4 ring | -- | | | | | |

* Max. bhp (brake horsepower) and max. torque corrected to 60° F and 29.92 in. Hg atmospheric pressure.

- (a) 3.98 (1-2, 3-4, 5-6); 4.0 (2-3, 4-5)
 (b) Forged, elliptically turned, tin-plated

AMA Specifications—Passenger Car

PLYMOUTH
MAKE OF CAR BELVEDERE **MODEL YEAR** 1969 **DATE ISSUED** 8-7-68 **REVISED** (*)

See Page 3 for Engine Usage

| MODEL | 225 CID | 318 CID | 383 CID | 440 CID | 426 CID |
|-------|---------|---------|---------|----------|-----------------|
| | | | 2-V | 4-V, All | Hi-Perf Hemi |

ENGINE – RINGS

| | | | | | |
|--------------------------------|---|---|----------------|--------------|-----|
| Function (top to bottom) | No. 1, oil or comp. | Compression | | | |
| | No. 2, oil or comp. | Compression | | | |
| | No. 3, oil or comp. | Oil | | | |
| | No. 4, oil or comp. | None | | | |
| Compression | Description - material, coating, etc. | #1 | (a) | (b) | (c) |
| | | #2 | (d) | (e) | |
| | Width | | .078 | | |
| | Gap | | .010 to .020 | .013 to .023 | |
| Oil | Description - material, coating, etc. | 3-piece abutment-type, stainless steel spacer-expander with chrome-plated segments | | | |
| | | Width | .188 | | |
| | | Gap | Not applicable | | |
| Expanders | | See above | | | |

ENGINE – PISTON PINS

| | | | | | |
|-------------------------------------|---|--------------------------------|----------------|------------------|----------|
| Material | | Carbon steel-carburizing grade | | | |
| Length | | 2.965 | 2.995 | 3.565 | 3.400 |
| Diameter | | .9008 | .9842 | 1.0936 | 1.0311 |
| Type | Locked in rod, in piston, floating, etc. | Press-fit in rod | Floating | Press-fit in rod | Floating |
| | Bush- ing | In rod or piston | Rod | None | Rod |
| | Material | -- | (f) | -- | (f) |
| Clearance | In piston | (g) | .0000 to .0005 | (g) | (h) |
| | In rod | (i) | .0001 to .0006 | (i) | (j) |
| Direction & amount offset in piston | | Right .06 | | | |

ENGINE – CONNECTING RODS

| | | | | | |
|---------------------------|--------------------|-------------------|------------------|------------------|-----------|
| Material | | Drop-forged steel | | | |
| Weight (oz.) | | 26.8 | 25.6 | 28.6 | 29.8 |
| Length (center to center) | | 6.699 | 6.123 | 6.358 | 6.861 |
| Bearing | Material & Type | (k) | Bi-metal grid | (k) | Tri-metal |
| | Overall length | .985 | .843 | .927 | |
| | Clearance (limits) | .0002 to .0022 | | | (m) |
| | End play | .006 to .012 | .006 to .014 (l) | .009 to .017 (l) | |

- (a) Cast iron, twist and taper, tin-plated
 (b) Cast iron, twist and radius-faced, tin-plated
 (c) Cast iron, twist and barrel-lap faced, moly-filled
 (d) Cast iron, reverse twist and taper, lubrite-coated
 (e) Cast iron, reverse twist and taper, tin-plated
 (f) Bronze on steel

- (g) .00045 to .00075
 (h) .0001 to .0006
 (i) .0007 to .0014 interference
 (j) .0002 to .0007
 (k) Lead-base babbitt on steel
 (l) Two rods
 (m) .0005 to .0030

AMA Specifications—Passenger Car

PLYMOUTH
MAKE OF CAR BELVEDERE **MODEL YEAR** 1969 **DATE ISSUED** 8-7-68 **REVISED** (a) 2-13-69
 See Page 3 for Engine Usage

| | | | | | | | |
|--------------|---------|---------|----------------|----------------|--------------------|--------------------|-----------------|
| MODEL | 225 CID | 318 CID | 383 CID 2-V | 383 CID 4-V | 383 CID Hi-Perf | 440 CID Hi-Perf | 426 CID Hemi |
|--------------|---------|---------|----------------|----------------|--------------------|--------------------|-----------------|

ENGINE – CRANKSHAFT

| | | | | | | | |
|-----------------------------------|---|-------|---|-------------|---------------|--------------|----|
| Material | (a) | (b) | Drop-forged steel | | | | |
| Vibration damper type | Non-adhesive, rubber, dynamic | | | | | | |
| End thrust taken by bearing (No.) | Three | | | | | | |
| Crankshaft end play | .002 to .007 | | | | | | |
| Main bearing | Material & type | | Lead-base babbitt on steel, removable, precision | | | (c) | |
| | Clearance | | .0002 to .0022 specified, .0005 to .0015, desired | | | (d) | |
| | Journal dia. and bearing overall length | No. 1 | 2.75 x 1.034 | 2.5 x 0.872 | 2.625 x 0.944 | 2.75 x 0.944 | |
| | | No. 2 | 2.75 x 1.034 | 2.5 x 0.872 | 2.625 x 0.944 | 2.75 x 0.944 | |
| | | No. 3 | 2.75 x 1.254 | 2.5 x 1.151 | 2.625 x 1.223 | 2.75 x 1.223 | |
| | | No. 4 | 2.75 x 1.034 | 2.5 x 0.872 | 2.625 x 0.944 | 2.75 x 0.944 | |
| | | No. 5 | -- | 2.5 x 1.562 | 2.625 x 0.944 | 2.75 x 0.944 | |
| | | No. 6 | | | | | |
| No. 7 | | | | | | | -- |
| Dir. & amt. cyl. offset | | None | | | | | |
| Crankpin journal diameter | | 2.187 | 2.125 | 2.375 | | | |

ENGINE – CAMSHAFT

| | | | | | | |
|---------------|---|----------------------------|---|-----|------|-----------|
| Location | Right | Center of "V" | | | | |
| Material | Hardenable cast iron, oil pump and distributor drive gear cast integrally | | | | | |
| Bearings | Material | Lead-base babbitt on steel | | | | (e) |
| | Number | Four | Five | | | |
| Type of Drive | Gear or chain | | Chain | | | (f) |
| | Crankshaft gear or sprocket material | | Malleable cast iron or sintered iron (Super Oilite) | | | Steel |
| | Camshaft gear or sprocket material | | Nylon-coated aluminum | | | Cast iron |
| | Timing chain | No. of links | 50 | 68 | 50 | 66 |
| | | Width | .88 | .63 | .75 | .86 |
| Pitch | | .50 | .375 | .50 | .375 | |

ENGINE – VALVE SYSTEM

| | | | | | |
|---|------------------------------|----------|-----------|--|-----------|
| Hydraulic lifters (Std., opt., NA) | NA | Std | | | NA |
| Valve rotator, type (intake, exhaust) | Low-friction lock on exhaust | | | | None |
| Rocker ratio | 1.5:1 | | | | |
| Operating tappet clearance (indicate hot or cold) | Intake | .010 Hot | Hydraulic | | .028 Cold |
| | Exhaust | .020 Hot | Hydraulic | | .032 Cold |

(Continued)

- (a) Drop-forged steel
 (b) Cast ductile iron
 (c) Tri-metal: steel back, copper-lead, intermediate layer of high-lead overplate

- (d) .0015 to .0025
 (e) Copper lead on steel
 (f) Double-roller chain

AMA Specifications—Passenger Car

PLYMOUTH
 MAKE OF CAR BELVEDERE MODEL YEAR 1969 DATE ISSUED 8-8-68 REVISED ^(*)2-13-69

See Page 3 for Engine Usage

| MODEL | 225 CID | 318 CID | 383 CID | | 383 CID Hi-Perf | 440 CID Hi-Perf | 426 CID Hemi |
|-------|---------|---------|---------|-----|--------------------|--------------------|-----------------|
| | | | 2-V | 4-V | | | |

ENGINE - VALVE SYSTEM (cont.)

| Timing (based on top of ramp points) | Intake | Opens (°BTC) | 10 | 10 | 18 | 21 | 36 |
|--|---------------------------------------|-------------------------------------|-------------------------------------|---------------|---------------|-----------------|-----------------|
| | | Closes (°ABC) | 50 | 50 | 58 | 67 | 68 |
| | | Duration - deg. | 240 | 240 | 256 | 268 | 284 |
| Exhaust | | Opens (°BBC) | 50 | 58 | 66 | 79 | 80 |
| | | Closes (°ATC) | 6 | 10 | 14 | 25 | 24 |
| | | Duration - deg. | 236 | 248 | 260 | 284 | 284 |
| Valve opening overlap | | | 16 | 20 | 32 | 46 | 60 |
| Material | | SAE 1041 | | | | | Silchrome XB |
| Overall length | | 4.77 | 4.98 | 4.87 | | 5.41 | |
| Actual overall head dia. | | 1.62 | 1.78 | 2.08 | | 2.25 | |
| Angle of seat & face deg. | | Seat: 44.5 to 45; valve: 45 to 45.5 | | | | | |
| Seat insert material | | None | | | | | |
| Stem diameter | | .372 to .373 | | | | | |
| Stem to guide clearance | | .001 to .003 | | | | | |
| Intake | Lift (∅ zero lash) | | .394 | .372 | .425 | .450 | .490 |
| | Outer spring press. & length | Valve closed (lb. @ in.) | 62 @ 1.65 | 92 @ 1.65 | 125 @ 1.43 | | 115 @ 1.86 |
| | | Valve open (lb. @ in.) | 154 @ 1.26 | 185 @ 1.28 | 200 @ 1.43 | | 280 @ 1.37 |
| | Inner spring press. & length | Valve closed (lb. @ in.) | None | | | Surge damper | |
| Valve open (lb. @ in.) | | None | | | Surge damper | | |
| Material | | 21-4N | | | | | 21-4N(a) |
| Overall length | | 4.80 | 5.00 | 4.89 | | 4.86 | |
| Actual overall head dia. | | 1.36 | 1.50 | 1.74 | | 1.94 | |
| Angle of seat & face | | 47 to 47.5 | Seat: 44.5 to 45; valve: 45 to 45.5 | | | | |
| Seat insert material | | None | | | | | |
| Stem diameter | | .371 to .372 | | | | | |
| Stem to guide clearance | | .002 to .004 | | | | | |
| Exhaust | Lift (∅ zero lash) | | .390 | .400 | .437 | .465 | .480 |
| | Outer spring press. & length | Valve closed (lb. @ in.) | 62 @ 1.65 | 92 @ 1.65 | 125 @ 1.86 | 115 @ 1.86 | |
| | | Valve open (lb. @ in.) | 154 @ 1.26 | 192 @ 1.25 | 202 @ 1.42 | 227 @ 1.42 | 234 @ 1.40 |
| | Inner spring press. & length | Valve closed (lb. @ in.) | None | | | | Surge damper |
| Valve open (lb. @ in.) | | None | | | | Surge damper | |

ENGINE - LUBRICATION SYSTEM

| | | |
|---|----------------------|-------------------|
| Type of lubrica- tion (splash, pressure, nozzle) | Main bearings | Pressure |
| | Connecting rods | Pressure |
| | Piston pins | Metered jet spray |
| | Camshaft bearings | Pressure |
| | Tappets | Splash Pressure |
| | Timing gear or chain | Jet |
| | Cylinder walls | Metered jet spray |

(Continued)

(a) Stellite-faced

AMA Specifications—Passenger Car

PLYMOUTH
MAKE OF CAR BELVEDERE **MODEL YEAR** 1969 **DATE ISSUED** 8-8-68 **REVISED** (*) 2-13-69

See Page 3 for Engine Usage

| MODEL | 225 CID | 318 CID | 383 CID | | 440 CID | 426 CID |
|-------|---------|---------|---------|----------|---------|---------|
| | | | 2-V | 4-V, All | Hi-Perf | Hemi |

ENGINE – LUBRICATION SYSTEM (cont.)

| | | | |
|--|-------------------------------------|--|---------------------------|
| Oil pump type | Rotary | | |
| Normal oil pressure (lb. engine rpm) | 45 to 65 @ 2000 | | |
| Oil press. sending unit (elect. or mech.) | Electric | | |
| Type oil intake (floating, stationary) | Stationary | | |
| Oil filter system (full flow, part., other) | Full flow (a) | | |
| Filter replacement (element, complete) | Complete | | |
| Capacity of oil case, less filter-refill (qt.) | 4 | | 5 |
| Oil grade recommended (SAE viscosity and temperature range)(b) | Consistently above +32F: | | SAE 10W-30, 20W-40, or 30 |
| | Occasionally as low as -10F: | | SAE 10W-30 |
| | Consistently between +32F and -10F: | | SAE 10W-30 or 10W |
| | Consistently below +10F: | | SAE 5W-20 |
| Engine Service Reqmt. (MM, MS, etc.) | MS | | |

ENGINE – EXHAUST SYSTEM

| | | | | |
|--|--------------|-----------------------|--------------|-----------------------------|
| Type (single, single with cross-over, dual, other) | Single | Single with crossover | Dual | |
| Muffler No. & type (reverse flow, straight thru, separate resonator) | One, reverse | | Two, reverse | 2, reverse 2, resonators |
| Exhaust pipe dia. (O.D., wall thick.) | Branch | -- | 1.75 x .075 | 1.88 x .075 |
| | Main | 1.88 x .075 | 2.00 x .075 | 2.50 x .083 |
| Tail pipe dia. (O.D. & wall thickness) | 1.75 x .043 | 1.88 x .043 | 2.25 x .043 | |

ENGINE – CRANKCASE VENTILATION SYSTEM

| | | | | |
|--|--|--|---|--|
| Type (ventilates to atmos., induction system, other) | Standard | Induction system | | |
| | Optional | -- | | |
| Control Unit | Make and model | (d) | Chicago Screw: 2843257; United Air Cleaner: 2843256 | |
| | Location | Cylinder head cover outlet | | |
| | Energy source (manifold vacuum, carburetor air stream, other) | Manifold vacuum | | |
| | Control method (variable orifice, fixed orifice, other) | Variable orifice | | |
| Complete system | Discharges (to intake manifold, carb. air intake, air cleaner intake, other) | Intake manifold, at or below base of carburetor | | |
| | Air inlet (breather cap, carburetor air cleaner, other) | Tube from carburetor air cleaner intake horn to oil filler cap | | |
| | Flame arrester (screen, check valve, other) | Check valve | | |

- (a) Change filter every second oil change; replacement part number: 1851658 (MoPar L-72).
 (b) Recommended oil change interval: every three months or 4,000 miles whichever occurs first.
 (c) Below +32F: SAE 10W-30; above +32F: SAE 20W-40, SAE 30, or SAE 40.
 (d) Chicago Screw P/N 2843258; United Air Cleaner P/N 2863189

AMA Specifications—Passenger Car

PLYMOUTH
 MAKE OF CAR BELVEDERE MODEL YEAR 1969 DATE ISSUED 8-8-68 REVISED (*)

MODEL _____

ENGINE – EXHAUST EMISSION CONTROL (a)

| Type (Air injection, engine modifications, other) & name | | Engine Modifications; Cleaner Air System | |
|--|--|--|---|
| Air Injection Pump | Type | Not applicable | |
| | Displacement | " | |
| | Drive ratio | " | |
| | Drive type | " | |
| | Relief valve (type) | " | |
| Filter (describe) | | " | |
| Air Injection System | Air distribution (head, manifold, etc.) | " | |
| | Point of entry | " | |
| | Injection tube I.D. | " | |
| | Check valve type | " | |
| Backfire protection (type) | | " | |
| Carburetor | Make | See page 10 | |
| | Model | " | |
| | Barrel size | " | |
| | Idle speed | Drive | " |
| | | Neutral | " |
| Idle A/F mixture | | " | |
| Aux. Adv. Systems (type) | | None | |
| Make | | Chrysler | |
| Model | | See page 13 | |
| Distributor | Cent'fgal adv. in crank degrees @ eng. rpm | Start (rpm) | " |
| | | Intermed. points deg. @ rpm | " |
| | | Max. deg. @ rpm | " |
| | Vacuum adv. in crank degrees @ eng. rpm | Start (in Hg) Intermed. points deg. @ in. Hg Max. deg. @ in. | " |
| Vacuum Source | | Carburetor port | |
| Timing - Crank degrees @ rpm | | See page 13 | |
| Cooling System | | None | |
| Exhaust System | | None | |

- (a) Maintenance: Every 6 months inspect crankcase ventilator valve, oil filler pipe cap, associated hoses. Clean oil filler cap. Test ventilator valve for proper operation. Every year replace crankcase ventilator valve.

AMA Specifications—Passenger Car

PLYMOUTH
MAKE OF CAR BELVEDERE **MODEL YEAR** 1969 **DATE ISSUED** 8-8-68 **REVISED** (•) 2-13-69

See Page 3 for Engine Usage

| MODEL | 225 CID | 318 CID | 383 CID 1, 2-V | 383 CID 1, 4-V All | 440 CID Hi-Perf | 426 CID Hemi |
|-------|---------|---------|-------------------|-----------------------|--------------------|-----------------|
|-------|---------|---------|-------------------|-----------------------|--------------------|-----------------|

ENGINE – FUEL SYSTEM

(See supplemental page for Details of Fuel Injection, Supercharger, etc. if used)

| | | | | | | |
|---|---|---|-------------|----------|-------------|----------|
| Induction type: Carburetor, fuel injection, supercharger. | | Carburetor | | | | |
| Fuel Tank | Refill capacity (U.S. gals.) | 19 | | | | |
| | Filler location | Rear center (left rear fender for station wagons) | | | | |
| Fuel Pump | Type (elec. or mech.) | Mechanical | | | | |
| | Locations | Rt. center | Right front | | | |
| | Pressure range | 3.5 to 5 | 5 to 7 | 3.5 to 5 | | 7 to 8.5 |
| Vacuum booster (std., optional, none) | | None | | | | |
| Fuel Filter | Type | Fuel tank: plastic; fuel line: paper 2525254 (a) | | | | |
| | Locations | One in fuel tank, one in supply line | | | | |
| Carburetor | Choke type | Automatic, separate | | | | (b) |
| | Intake manifold heat control (exhaust or water) | Exhaust | | | | |
| | Air cleaner type | Standard (c) | 2206376 | 1739547 | 2863349 (d) | |
| Idle speed (spec. neutral or drive) | Manual | 700 | | | | 800 |
| | Automatic | 650 | 600 | 650 | 800 | |
| | neutral | Idle A/F mix. 14.0 to 14.4 | | | | |

CARBURETOR SUPPLEMENTARY INFORMATION

| Model Usage | Engine Displ. | Transmission | Carburetors | | No. Used and Type | Barrel Size |
|-------------------------------|---------------|--------------|-------------|-----------|--------------------|-------------|
| | | | Make | Model | | |
| Std: RL, RH, RP | 225 | Manual | Holley | R-4163A | 1, 1-V | 1.69 |
| | | Automatic | | R-4164A | | |
| | 318 | Manual | Carter (e) | BBD-4607S | 1, 2-V | 1.44 |
| | | Automatic | | BBD-4608S | | |
| 383 | Automatic | BBD-4774S | | 1, 4-V | | 1.56 |
| | Manual | AVS-4711S | | | | |
| | Automatic | AVS-4616S | | | | |
| Std: Road Runner | 383 | Manual | AVS-4615S | 1, 4-V | P: 1.44 S: 1.69 | |
| | | Automatic | AVS-4682S | | | |
| | | Manual | AVS-4617S | | | |
| Std: GTX | 440 | Automatic | AVS-4618S | 1, 4-V | P: 1.69 S: 1.69 | |
| | | Manual | AVS-4619S | | | |
| Opt: All Models Exc 45, 46 | 426 | Manual | AFB-4620S | F1, 4-V | P: 1.44 S: 1.69 | |
| | | | AFB-4619S | R1, 4-V | | |
| | | Automatic | AFB-4619S | F1, 4-V | | |
| | | | AFB-4621S | R1, 4-V | | |

- (a) 426 CID & 440 CID use 2951192
- (b) Front: none; Rear: automatic, integral
- (c) Paper element. Clean every 6 months. Replace every 2 years with P/N above.
- (d) 383 CID 1, 2-V uses 2402677
- (e) With AC: AVS-4638S

AMA Specifications—Passenger Car

| | | | | | | | |
|-------------|-----------------------|-----------------------------|---------|-------------|---------|-------------|---------|
| MAKE OF CAR | PLYMOUTH BELVEDERE | MODEL YEAR | 1969 | DATE ISSUED | 8-8-68 | REVISED (a) | |
| | | See Page 3 for Engine Usage | | | | | |
| MODEL | 225 CID | 318 CID | 383 CID | | 383 CID | 440 CID | 426 CID |
| | | | 2-V | 4-V | Hi-Perf | Hi-Perf | Hemi |

ENGINE – COOLING SYSTEM

| | | | | | | | |
|---|----------------------------------|--|------------------------------|------------|----------|--------|----|
| Type system (pressure, pressure vented, atmospheric, other) | | Pressure-vented | | | | | |
| Radiator cap relief valve pressure | | 16 | | | | | |
| Circulation thermostat | Type (choke, bypass) | Choke, pellet | | | | | |
| | Starts to open at (°F) | 190 | | | | | |
| Water pump | Type (centrifugal, other) | Centrifugal | | | | | |
| | GPM @ 1000 pump rpm | -- | | | | | |
| | Number of pumps | One | | | | | |
| | Drive (V-belt, other) | V-belt | | | | | |
| | Bearing type | Ball, integral shaft, permanently sealed | | | | | |
| By-pass recirculation type (inter., ext.) | | External | | | Internal | | |
| Radiator core type (cellular, tube and fin, other) | | Tube and spacer | | | | | |
| Cooling system capacity | With heater (qt.) (a) | 13 | 16 | | | 18 (b) | 18 |
| | Without heater (qt.) | 12 | 15 | | | 17 (b) | 17 |
| | Opt. equipment-specify (qt.) (c) | 15 | 19 | 17 | | 18 | -- |
| Water jackets full length of cyl. (yes, no) | | No | Yes | No | | | |
| Water all around cylinder (yes, no) | | Yes | | | | | |
| Radiator hose | Lower | Number and type (molded, straight) | One, molded | | | | |
| | | Inside diameter | 1.50 | | 1.75 | | |
| | Upper | Number and type (molded, straight) | One, molded | | | | |
| | | Inside diameter | 1.50 | | | | |
| | By-pass | Number and type (molded, straight) | One Straight | One Molded | None | | |
| | | Inside diameter | 0.68 | 0.80 | -- | | |
| Fan | Number of blades & spacing | | See page 11A | | | | |
| | Diameter | | " | | | | |
| | Ratio-fan to crankshaft rev. | | " | | | | |
| | Fan cutout type | | " | | | | |
| | Bearing type | | See water pump bearing above | | | | |
| *Drive belts (indicate belt used by letter) | Fan | | See page 11A | | | | |
| | Generator or alternator | | " | | | | |
| | Water Pump | | " | | | | |
| | Power Steering | | " | | | | |
| | Air Conditioning | | " | | | | |

- (a) Protect cooling system with Glycol-Base antifreeze. Alcohol-Base antifreeze is not recommended because of its low boiling point.
- (b) Manual transmission; automatic transmission: 1 qt less
- (c) For maximum cooling and/or air conditioning

PLYMOUTH
MAKE OF CAR BELVEDERE

MODEL YEAR 1969

DATE ISSUED 8-8-68 REVISED (•)

| See Page 3 for Engine Usage | | | | | | | | | | | |
|---|----|---------------------------------------|----|--------------------------|----|-----------------|----|-----------------|----|--------------|----|
| 225 CID | | 318 CID | | 383 CID | | 383 CID Hi-Perf | | 440 CID Hi-Perf | | 426 CID Hemi | |
| wo/AC | AC | wo/AC | AC | wo/AC | AC | wo/AC | AC | wo/AC | AC | wo/AC | AC |
| FAN | | | | | | | | | | | |
| Number Blades & Spacing | | 4 | | 7 | | | | | | | |
| Diameter | | 17 | | 18 | | 18 | | 18.5 | | 18 | |
| Ratio-Fan to Crankshaft | | 1.07:1 | | 0.95:1 | | 1.3:1 | | 0.95:1 | | 1.4:1 | |
| Fan Cut-out, Type | | None | | Thermal w/AC; None wo/AC | | | | | | | |
| (a) Manual transmission: torque; automatic transmission: none | | (b) Thermal | | | | | | | | | |
| DRIVE BELTS | | | | | | | | | | | |
| Fan | | A | | D | | H | | K | | H | |
| Alternator | | A | | D | | H | | L | | H | |
| Water Pump | | A | | D | | H | | K | | H | |
| Power Steering | | B | | E(a) | | | | | | I(b) | |
| Air Conditioner | | -- | | C | | -- | | G | | L | |
| (a) With 0.94 pump; with 1.06 pump: F | | (b) With 0.94 pump; with 1.06 pump: J | | | | | | | | | |
| DRIVE BELT DIMENSIONS | | | | | | | | | | | |
| Angle of "v", Degrees | | A | | B | | C | | D | | E | |
| Nominal Length, SAE | | 36 | | 36 | | 36 | | 36 | | 36 | |
| Width | | 57.0 | | 40.8 | | 53.0 | | 48.0 | | 42.5 | |
| | | .38 | | .38 | | .50 | | .38 | | .50 | |

* Dual

AMA Specifications—Passenger Car

PLYMOUTH
MAKE OF CAR BELVEDERE **MODEL YEAR** 1969 **DATE ISSUED** 8-8-68 **REVISED** (*) 2-13-69

See Page 3 for Engine Usage

| MODEL | 225 CID | 318 CID | 383 CID | | | 440 CID | 426 CID |
|-------|---------|---------|---------|-----|---------|---------|---------|
| | | | 2-V | 4-V | Hi-Perf | Hi-Perf | Hemi |

ELECTRICAL – SUPPLY SYSTEM

| | | | | | |
|------------|---------------------------------|--|-----------------------------|--------------|-------------|
| Battery | Make and Model (a) | 24-MB-48 | 24-MB-59 | 27-MB-70 | |
| | Voltage Rtg. & Total Plates | 12, 54 | 12, 66 | 12, 78 | |
| | SAE Designation & Amp. Hr. Rtg. | 9 HC3, 48 | 9 HC3-A, 59 | 9 HC5, 70 | |
| | Location | Left front fender side shield | | | |
| | Terminal grounded | Negative | | | |
| Alternator | Make | Chrysler | | | |
| | Model | 2642537 | 2642537 wo/AC | 2098850 w/AC | |
| | Type and rating (b) | 37 amp | 37 amp wo/AC | 46 amp w/AC | |
| | Output at engine idle (neutral) | -- | | | |
| | Ratio-Gen. to Cr/s rev. | 2.70:1 | 2.40:1 | 2.55:1 wo/AC | 2.44:1 w/AC |
| Regulator | Make | Chrysler | | | |
| | Model | 2098300 | | | |
| | Type | Voltage control | | | |
| | Cutout relay | Closing voltage generator rpm | -- | | |
| | | Reverse current to open | -- | | |
| | Regulated | Voltage | 13.5 to 14.5 @ 70°F ambient | | |
| | | Current | -- | | |
| | Voltage test conditions | Temperature | 70°F | | |
| Load | | 15 amp | | | |
| Other | | After running engine 15 min. at 1250 rpm w/15 amp load | | | |

ELECTRICAL – STARTING SYSTEM

| | | | | | | | |
|---------------------------|-----------------------------|---|--------|-------|----|--------|-----|
| Starting Motor | Make | Chrysler | | | | | |
| | Model | 2095150 | | | | | |
| | Rotation (drive end view) | Clockwise | | | | | |
| Motor control | Switch (solenoid, manual) | Solenoid | | | | | |
| | Starting procedure | With transmission in "Neutral" or "Park" depress accelerator pedal to floor and release. Turn ignition key to start position and release when engine starts. When engine is running smoothly tap accelerator pedal to reduce fast idle speed. | | | | | |
| Motor Drive | Engagement type | Solenoid | | | | | |
| | Pinion meshes (front, rear) | Front | | | | | |
| | Number of teeth | Pinion | 10 | | | 10 (c) | |
| | | Flywheel | Manual | 122 | -- | 130 | 143 |
| | Auto. | | 122 | 130 | | | |
| Flywheel tooth face width | Manual | 0.340 | -- | 0.340 | | | |
| | Auto. | 0.340 | | | | | |

- (a) MoPar
- (b) Three-phase full-wave rectified
- (c) Nine teeth with manual transmission

AMA Specifications—Passenger Car

| | | | | | | |
|-----------------|-------------------------------|-----------------------------|---------------------------|--------------------|--------------------|-----------------|
| PLYMOUTH | MAKES OF CAR BELVEDERE | MODEL YEAR 1969 | DATE ISSUED 8-9-68 | REVISED (*) | | |
| | | See Page 3 for Engine Usage | | | | |
| MODEL | 225 CID | 318 CID | 383 CID 2-V | 383 CID 4-V | 440 CID Hi-Perf | 426 CID Hemi |

ELECTRICAL – IGNITION SYSTEM

| | | | | | | | |
|---------------------------|--|-------------------------------------|---------------------------------------|--------------------------------------|------------|------------|-----|
| Type | Conventional – Std., Opt., N.A. | | Std | | | | |
| | Transistorized – Std., Opt., N.A. | | NA | | | | |
| | Other (specify) | | -- | | | | |
| Coil | Make | | Chrysler-Prestolite or Chrysler Essex | | | | |
| | Model | | Prestolite: 2444242; Essex 2444241 | | | | |
| | Amps | Engine stopped | 3.0 | | | | |
| Engine idling | | 1.9 | | | | | |
| Distributor | Make | | Chrysler | | Prestolite | | |
| | Model | | See page 13A | | | | |
| | Cent'fgal adv. in c shaft degrees @ engine rpm (nominal) | Start (rpm) | | " | | | |
| | | Intermediate points deg. @ rpm | | " | | | |
| | | Max. deg. @ rpm | | " | | | |
| | Vacuum adv. in c shaft degrees @ in. Hg. (nominal) | Start (in. Hg.) | | " | | | |
| | | Intermediate points, deg. @ in. Hg. | | " | | | |
| | | Max. deg. in. Hg. | | " | | | |
| | Breaker gap (in.) | | (a) | 0.014 to 0.019 | | | |
| | Cam angle (deg.) | | 42 to 47 | 30 to 35 | | (b) | (c) |
| Breaker arm tension (oz.) | | 17 to 20 | | 17 to 21.5 | (d) | 17 to 21.5 | |
| Timing | Crankshaft deg. @ rpm | | See page 13A | | | | |
| | Mark location | | " | | | | |
| Spark Plug | Make & Model | MoPar | P-6-6P | P-3-6P | P-3-4P | -- | |
| | | Champion | N-14Y | J-14Y | J-11Y | N-10Y | |
| | Thread (mm) | | 14 mm | | | | |
| | Tightening torque (lb. ft.) | | 30 to 32 | | | | |
| | Gap | | 0.035 | | | | |
| Cable | Conductor type | | Resistor | | | | |
| | Insulation type | | (e) | Synthetic rubber with Hypalon jacket | | | |
| | Spark plug protector | | Hypalon | Silicone | | | |

ELECTRICAL – SUPPRESSION

| | |
|------------------|---|
| Locations & type | Resistance-type leads to coil and spark plugs |
|------------------|---|

- (a) 0.017 to 0.023.
- (b) One set of points 27 to 32; both sets of points 37 to 42.
- (c) Manual transmission: one set of points 27 to 32; both sets of points 37 to 42.
Automatic transmission: 30 to 35.
- (d) Manual transmission: 17 to 21.5; automatic transmission: 17 to 20.
- (e) Synthetic rubber with Neoprene jacket.

PLYMOUTH
 MAKE OF CAR BELVEDERE MODEL YEAR 1969 DATE ISSUED 8-9-68 REVISED (*) 2-13-69

AVAILABILITY

(See Page 3 for Engine Usage)

| Distributor | 225 CID | | 318 CID | 383 CID | | 383 CID Hi-Perf | 440 CID Hi-Perf | 426 CID Hemi |
|-------------|---------|-----------|---------------|--------------------|---------|------------------|-----------------|---------------|
| | Manual | Automatic | | 2-V | 4-V | | | |
| Timing (a) | 2875822 | 2875826 | 2875796 | -- | 2875750 | 2875715 | 2875772 | 2875140 |
| | Manual | Automatic | TDC @ 700 RPM | -- | 2875731 | 2875846 | 2875758 | TDC @ 800 RPM |
| | | | TDC @ 650 RPM | 7.5 BTDC @ 600 RPM | | 5 BTDC @ 650 RPM | | TDC @ 800 RPM |

(a) Transmission in neutral

SPECIFICATIONS

| DISTRIBUTOR PART NUMBER | CENTRIFUGAL ADVANCE Crankshaft Degrees at Engine RPM | | | VACUUM ADVANCE Crankshaft Degrees at Inches of Mercury | | |
|-------------------------|---|--------------|-----------|---|--------------|-----------|
| | Start | Intermediate | Maximum | Start | Intermediate | Maximum |
| 2875140 | 0 @ 1050 | 21 @ 1500 | 30 @ 3100 | 0 @ 8.0 | 12 @ 12.0 | 19 @ 15.0 |
| 2875715 | 0 @ 900 | 25 @ 1500 | 36 @ 5000 | 0 @ 9.0 | 10 @ 12.0 | 21 @ 16.0 |
| 2875731 | 0 @ 900 | 22 @ 1400 | 32 @ 5000 | 0 @ 6.5 | 12 @ 11.0 | 21 @ 15.0 |
| 2875747 | 0 @ 800 | 17 @ 1300 | 36 @ 4600 | 0 @ 6.5 | 13 @ 10.0 | 24 @ 13.5 |
| 2875750 | 0 @ 900 | 25 @ 1500 | 36 @ 5000 | 0 @ 6.5 | 12 @ 11.0 | 21 @ 15.0 |
| 2875758 | 0 @ 850 | 19 @ 1400 | 30 @ 4800 | 0 @ 9.0 | 10 @ 12.0 | 21 @ 16.0 |
| 2875772 | 0 @ 900 | 24 @ 1400 | 36 @ 5000 | 0 @ 9.0 | 10 @ 12.0 | 21 @ 16.0 |
| 2875796 | 0 @ 850 | 14.5 @ 1300 | 36 @ 4800 | 0 @ 9.0 | 11 @ 12.0 | 19 @ 15.0 |
| 2875822 | 0 @ 850 | 20 @ 1650 | 26 @ 4000 | 0 @ 8.0 | 8 @ 12.0 | 13 @ 15.0 |
| 2875826 | 0 @ 850 | 20 @ 1650 | 26 @ 4000 | 0 @ 6.0 | 8 @ 8.0 | 13 @ 9.5 |
| 2875846 | 0 @ 900 | 25 @ 1500 | 36 @ 5000 | 0 @ 6.5 | 12 @ 11.0 | 21 @ 15.0 |

AMA Specifications—Passenger Car

PLYMOUTH
MAKE OF CAR BELVEDERE **MODEL YEAR** 1969 **DATE ISSUED** 8-9-68 **REVISED** (a)

MODEL _____ All Models

ELECTRICAL – INSTRUMENTS AND EQUIPMENT

| | | |
|-------------------------------|------------------------|--|
| Speed-ometer | Type | In-line drive, pointer |
| | Trip odometer (yes,no) | No |
| Charge indicator – type | | Ammeter |
| Temperature indicator – type | | Electric, thermal |
| Oil pressure indicator – type | | Light |
| Fuel indicator – type | | Electric, thermal |
| Other | | Brake system and parking brake warning light |
| Wind-shield wiper | Type – Standard | Electric, two-speed |
| | Type – Optional | Electric, three-speed |
| Wind-shield washer | Type – Standard | Electric |
| | Type – Optional | -- |
| Horn | Type | 4-inch sea shell (a) |
| | Number used | 2 (a, b) |
| | Amp draw (each) | Sparton: 6-8 amp; Prestolite: 4-6 amp (a) |

DRIVE UNITS – CLUTCH (Manual Transmission)

| MODEL | | See Page 3 for Engine Usage | | | | |
|-----------------------------|-------------------------------------|--------------------------------------|-------------------|-----------------------|-----------------|--------------------|
| | | 225 CID | 318 CID | 383 CID Exc 1, 2-V | 426 CID Hemi | 440 CID Hi-Perf |
| Make & type dry plate | | Auburn; Borg & Beck | | Borg & Beck | | |
| Type pressure plate springs | | Coil | | | | |
| Total spring load (lb.) | | 1375 | 1693 | 2181 | 2523 | |
| No. of clutch driven discs | | One | | | | |
| Clutch facing | Material | Woven asbestos | | | | |
| | Outside & inside dia. | 9.25 x 6.00 | 10.5 x 6.5 | 11.0 x 6.5 | 11.0 x 7.0 | |
| | Total eff. area (sq.in.) | 77.8 | 106.8 | 123.6 | 113.1 | |
| | Thickness | 0.114 | 0.125 | 0.135 | | |
| | Engagement cushioning method | Two-piece cushion | Flat-wave springs | | | |
| Release bearing | Type & method of lubrication | Ball bearing, permanently lubricated | | | | |
| Torsional damping | Methods: springs, friction material | Coil springs and friction washers | | | | |

(a) Road Runner: 1 horn, vibrator type, Sparton 4-5 amp draw

(b) On L price class: 1 horn standard; 2 optional

AMA Specifications—Passenger Car

PLYMOUTH
MAKE OF CAR BELVEDERE **MODEL YEAR** 1969 **DATE ISSUED** 8-9-68 **REVISED** (a) 2-14-69

See Page 3 for Engine Usage

| | | | | | |
|--------------|---------|---------|----------------|--------------------|-----------------|
| MODEL | 225 CID | 318 CID | 383 CID All | 440 CID Hi-Perf | 426 CID Hemi |
|--------------|---------|---------|----------------|--------------------|-----------------|

DRIVE UNITS – TRANSMISSIONS

| | | | | | |
|--------------------------------------|-----|--|-----|-----|--|
| Manual 3-speed (std. or opt.) | Std | | NA | | |
| Manual 4-speed (std. or opt.) | NA | Opt (Std on Road Runner NA 383 CID 1, 2-V) | | | |
| Manual with overdrive (std. or opt.) | NA | | | | |
| Automatic (std. or opt.) | Opt | | Std | Opt | |

DRIVE UNITS – MANUAL TRANS.

| | | | | | |
|------------------------------------|---|------------|--------------------|------|------|
| Number of forward speeds | 3 | | 4 | | |
| Transmission ratios | In first | 2.95 | 3.02 | 2.66 | 2.65 |
| | In second | 1.83 | 1.76 | 1.91 | 1.93 |
| | In third | 1.00 | | 1.39 | |
| | In fourth | -- | | 1.00 | |
| | In reverse | 3.80 | 3.95 | 2.58 | 2.57 |
| Synchronous meshing, specify gears | 2nd & 3rd | | All forward speeds | | |
| Shift lever location | 3-speed: steering column 4-speed: floor or console | | | | |
| Lubricant | Capacity (pt.) | 6.5 | 6.0 | 7.5 | 8.0 |
| | Type recommended | (a) | | | |
| | SAE viscosity number | Summer (a) | | | |
| | | Winter (a) | | | |
| | Extreme cold (a) | | | | |

DRIVE UNITS – MANUAL TRANS. W/OVERDRIVE

(For transmission data see manual transmission section)

| | | | | | | |
|---|----------------------|--|--|--|--|---------------------------------|
| Type (planetary or other) | / | | | | | |
| Manual lockout (yes, no) | | | | | | |
| Downshift accelerator control (yes, no) | | | | | | |
| Minimum cut-in speed | | | | | | |
| Gear ratio | | | | | | |
| Lubricant | | | | | | Capacity (pt.) (Overdrive only) |
| | | | | | | Separate filler (yes, no) |
| | Type recommended | | | | | |
| | SAE viscosity number | | | | | |
| | Summer | | | | | |
| | Winter | | | | | |
| | Extreme cold | | | | | |

(a) 3-speed: Automatic Transmission Fluid, Type AQ-ATF-2848A for all temperature ranges; Multipurpose Gear Lubricant, SAE 90, may be used in warm climates.

4-speed: When necessary, add Multipurpose Gear Lubricant, SAE 140. During extremely cold weather, refill the transmission with Automatic Transmission Fluid, Type AQ-ATF, Suffix "A".

RECOMMENDED CHANGE INTERVAL: no oil change required except in severe service such as taxi or police operation, trailer towing, or continuous operation at higher-than-normal loading. Under these conditions, change oil at 36,000 miles or 3 years, and every 12,000 miles or each year thereafter.

AMA Specifications—Passenger Car

PLYMOUTH
MAKE OF CAR BELVEDERE **MODEL YEAR** 1969 **DATE ISSUED** 8-15-68 **REVISED** (a) 2-14-69

See Page 3 for Engine Usage

| MODEL | 225 CID | 318 CID | 383 CID | | 383 CID | 440 CID | 426 CID |
|-------|---------|---------|---------|-----|---------|---------|---------|
| | | | 2-V | 4-V | Hi-Perf | Hi-Perf | Hemi |

DRIVE UNITS – AUTOMATIC TRANSMISSION

| | | | | | |
|---|--|----|---|----|----|
| Trade name | TorqueFlite | | | | |
| Type describe | Torque converter with automatically-operated planetary gear transmission | | | | |
| Selector location | Lever: steering column or console-mounted | | | | |
| List gear ratios Selector Pattern and indicate which are used in each selector position | Reverse: 2.20 Drive: 2.45, 1.45, 1.00 2: 2.45, 1.45 1: 2.45 | | | | |
| Max. upshift speed—drive range | 73 | 85 | 74 | 76 | 93 |
| Max. kickdown speed—drive range | 65 | 76 | 67 | 69 | 84 |
| Torque converter | Number of elements Three | | | | |
| | Max. ratio at stall | | Type of cooling (air, liquid) | | |
| | Nominal diameter | | Liquid | | |
| Lubricant (a) | Capacity—refill (pt.) | | Type recommended | | |
| | 16 | | Automatic transmission fluid type AQ-ATF, 2848A | | |
| Special transmission features | None | | | | |

DRIVE UNITS – PROPELLER SHAFT

| | | | | | | |
|--|------------------------|-----------------------------|------------------------|------------------------|---------------------|--------------|
| Number used | | One | | | | |
| Type (straight tube, tube-in-tube, internal-external damper, etc.) | | Internal vibration absorber | | | | |
| Outer diam. x length x wall thickness (b) | Manual 3-speed trans. | 3.25 x 57.65 (c) | 3.00 x 51.44 (d) | -- | | |
| | Manual 4-speed trans. | -- | | 3.00 x 51.50 (f) | 3.00 x 50.39 | |
| | Overdrive transmission | NA | | | | |
| | Automatic transmission | 3.00 x 57.65 (c) | 3.00 x 56.17 (c) | 2.75 x 51.44 (e) | 3.00 x 51.50 (f) | 3.00 x 51.50 |

* Center to center of universal joints, or to centerline of rear attachment.

(Continued)

(a) **RECOMMENDED CHANGE INTERVAL:** no oil change required except in severe service such as taxi or police operation, trailer towing, or continuous operation at higher-than-normal loading. Under these conditions, change oil at 36,000 miles or 3 years, and every 12,000 miles or each year thereafter.

(b) Wall thickness is 0.065 for all propeller shafts

(c) For station wagons: 3.00 x 56.17

(d) For station wagons: 3.00 x 52.03

(e) For station wagons: 2.75 x 52.03

(f) For station wagons: 3.00 x 52.07

AMA Specifications—Passenger Car

PLYMOUTH
MAKE OF CAR BELVEDERE **MODEL YEAR** 1969 **DATE ISSUED** 8-15-68 **REVISED** (a) 2-14-69

See Page 3 for Engine Usage

| | | | |
|--------------|---------|---------|----------------------|
| MODEL | 225 CID | 318 CID | 383, 440 and 426 CID |
|--------------|---------|---------|----------------------|

DRIVE UNITS – PROPELLER SHAFT (cont.)

| | | | | |
|---|------------------------------------|-----------------------------|-----------------------------------|-------|
| Inter-mediate bearing | Type (plain, anti-friction) | None | | |
| | Lubrication (fitting, prepack) | None | | |
| Slip Yoke | Type | Sliding spline | | |
| | Number of teeth | 25 | Manual: 29 Automatic: 25 | 29 |
| | Spline O.D. | 1.156 | Manual: 1.325 Automatic: 1.156 | 1.325 |
| Universal joints | Make and Mfg. No. | 7260 or 7290 Chrysler | | |
| | Number used | Two | | |
| | Type (ball and trunnion, cross) | Cross | | |
| | Rear attach. (u-bolt, clamp, etc.) | C-clamp | | |
| | Bearing | Type (plain, anti-friction) | Anti-friction | |
| Lubric. (fitting, prepack) | | Prepack | | |
| Drive taken through (torque tube or arms, springs) | | Rear spring | | |
| Torque taken through (torque tube or arms, springs) | | Rear spring | | |

DRIVE UNITS – AXLE

For axle usage see chart at bottom of page

| | | A | B | C | D | E |
|-----------------------------------|----------------------------|----------------------|-----------------------------|--|----------------|---------------|
| Type (front, rear) | | Rear | | | | |
| Description | carrier housing | Unitized | Separable | Unitized | Separable | Unitized |
| | ring gear | 7-1/4 OD | 8-3/4 OD | 8-1/4 OD | 8-3/4 OD | 9-3/4 OD |
| Limited Slip differential, type | | Friction bias | | None | Friction bias | |
| Drive Pinion Offset | | 1.625 | 1.50 | 1.85 | 1.50 | 1.125 |
| No. of differential pinions | | 2 (all) | 2 (all) | 2 | 2 (all) | 4 (SURE-GRIP) |
| Pinion adjustment (shim, other) | | Washer | | Shim | | Shims |
| Pinion bearing adj. (shim, other) | | Solid spacer | Shims | Collapsible spacer | | Shims |
| Wheel bearing type | | Ball | Tpd. roller | St. roller | Tapered roller | |
| Lubricant | Capacity (pt.) | 2 | 4 | | 5-1/2 | |
| | Type recommended (z) pg 18 | 2933565 MIL-L-2105-B | | | | |
| | SAE viscosity number | Summer | | Above -10F SAE 90 | | |
| | | Winter | | Between -10F and -30F SAE 80 | | |
| | Extreme cold | | Below -30F SAE 75 | | | |

AXLE RATIO TOOTH COMBINATIONS

(See page 3 for axle ratio usage)

| | | | | | | | |
|----------------|-----------|-------|-------|-------|-------|-------|-------|
| Axle ratio | 2.71 | 2.76 | 2.93 | 2.94 | 3.23 | 3.54 | 3.55 |
| No. of teeth | Pinion | 17 | | 14 | 16 | 13 | |
| | Ring gear | 46 | 47 | 41 | 47 | 42 | 46 |
| Ring Gear O.D. | 8-1/4 | 8-3/4 | 7-1/4 | 8-3/4 | 7-1/4 | 8-1/4 | 9-3/4 |

ENGINE AXLE COMBINATIONS

| | | | | | | |
|---------------|--------|---------|---------|---------|---------|---------|
| | | 225 CID | 318 CID | 383 CID | 426 CID | 440 CID |
| Sedan | Manual | A | B | D (a) | E | E |
| | Auto. | A | C | D | D | D |
| Station Wagon | Manual | B | B | D (a) | -- | -- |
| | Auto. | B | C | D | -- | -- |

(a) Except 383 CID 1, 2-V

AMA Specifications—Passenger Car

| | | | | | | | |
|-------------|-----------------------|------------|------------------------------|--------------------|---------|-----------------|--------------------------|
| MAKE OF CAR | PLYMOUTH BELVEDERE | MODEL YEAR | 1969 | DATE ISSUED | 8-1-68 | REVISED | (*) 2-14-69 |
| MODEL | 225 CID | 318 CID | 383 CID Except Hi-Perf | 383 CID Hi-Perf | 440 CID | 426 CID Hemi | All Station Wagons |

DRIVE UNITS – WHEELS

| | | | | | | | |
|--------------------------|---------------------|-----------------|---|-------|-----------------|-------------|-----------|
| Type & material | | Disc, steel | | | | | |
| Rim (size & flange type) | Std. | 5.0 J | 5.0 J (b) | 5.0 J | 5.5 JK | 15 x 6.0 JJ | 5.5 JK |
| | Opt. | 5.5 JK (a) | 5.5 JK (c); 5.5 JK (a) 15 x 6.0 JJ (a) | | 15 x 6.0 JJ (a) | | 5.5 JK(a) |
| Attachment | Type (bolt or stud) | Stud | | | | | |
| | Circle diameter | 4.5 | | | | | |
| | Number and size | Five, 1/2-20 NF | | | | | |

MODEL _____

DRIVE UNITS – TIRES

| | | | | | | | | |
|----------|-----------------------------------|---------------------------------|---|---|---|------------------------|-------------------|----|
| Standard | Size, ply rating, & ply | 7.35 x 14, 4-2 | 7.35 x 14, 4-2 (b) | 7.75 x 14, 4-2 | F70 x 14 4-2 | F70 x 15, 4-2/4 (d) | 8.25 x 14, 4-2 | |
| | Type (bias, radial, etc.) | Bias | | | | Belted | Bias | |
| | Full rated Inflation Press. | Front | 32 | 32 (b) | 26 | 28 | 28 | 22 |
| | | Rear | 32 | 32 (b) | 26 | 28 | 28 | 32 |
| | Rev./Mile at 50 MPH | 800 | 800 (b) | 774 | 783 | 765 | 763 | |
| Optional | Size, ply rating, & ply | 7.75 x 14, 4-2, 4-2/4 (d) | 7.75 x 14, 4-2 F78 x 14, 4-2/4 8.25 x 14, 4-2 F70 x 14, 4-2 4-2/4 F70 x 15, 4-2/4 F70 x 15, 4-2/4 (d) | 8.25 x 14, 4-2 F78 x 14 4-2/4 F70 x 14 4-2, 4-2/4 F70 x 15, 4-2/4 (d) | F70 x 14, 4-2/4 F70 x 15, 4-2/4 (d) | None | 8.55 x 14, 4-2 | |

BRAKES – PARKING

| | | | |
|---------------------------------|--|---|--|
| Type of control | | Foot-operated pedal, hand release lever | |
| Location of control | | Under left end of instrument panel | |
| Operates on | | Rear wheels | |
| If separate from service brakes | Type (internal or external) | / | |
| | Drum diameter | | |
| | Lining size (length x width x thickness) | | |

- (a) Styled wheel.
 (b) Convertible with air conditioning standard equipment: 5.0 J wheels; 7.75 x 14, 4-2 tires; 26 psi front and rear; 774 rev./mile.
 (c) Not available with 7.35 or 7.75 x 14 tires.
 (d) 4-2/4 denotes bias fiberglass belted construction.

(z) (See page 17) axles with SURE-GRIP or limited slip identification tag use 2585318. No oil change required in normal service, except to provide correct viscosity grade for temperatures as described. Factory fill oil is satisfactory to -30°F.

AMA Specifications—Passenger Car

PLYMOUTH
 MAKE OF CAR BELVEDERE MODEL YEAR 1969 DATE ISSUED 8-16-68 REVISED (a)

| | | | |
|----------------|---|--------------------------------------|-----|
| 225 Exc 45, 46 | 318; 383, 2-V; 383, 4-V; All 45, 46 | 383, 4-V Hi-Perf 426; 440 Hi-Perf | All |
|----------------|---|--------------------------------------|-----|

MODEL
BRAKES – SERVICE (a)

| | | | | | | |
|--|---|---|------------------------------|-------------------|--------------------|--------------------|
| Type (drum or disc & no. of pistons) | | Drum | | Disc | | |
| Self adjusting (std., opt., N.A.) | | Std | | | | |
| Special Valving | Type (proportion, delay, metering, other) | -- | | (b) | | |
| Power brake make & type (remote, int., etc.) | Std. Opt. | -- | | Tandem | | |
| | | Integral | | | | |
| Effective area (sq. in.) * | | 165.9 | 195.2 | 234.1 | | |
| Gross lining area (sq. in.) ** | | 165.9 | 195.2 | 234.1 | | |
| Swept area (sq. in.) *** | | 267.0 | 314.2 | 380.1 | | |
| Front to Rear Effectiveness Relationship | | Front 60; Rear 40 | | | | |
| Drum | Diameter (nominal) | Front | 10 | 11 | | |
| | | Rear | 10 | 11 | | |
| | Type and material | Centrifuse or cast composite, cast iron | | -- | | |
| Rotor | Outer working diameter | | -- | 11.04 | | |
| | Inner working diameter | | -- | 6.96 | | |
| | Working width | | -- | 4.08 | | |
| | Material & type (vented/solid) | | -- | Vented; cast iron | | |
| Wheel cylinder bore | Front | | 1.125 | 2.00 | | |
| | Rear | | 0.9375 | | | |
| Master Cylinder displacement distribution | Bore | | 1.00 | 1.125 | | |
| | Front % | Rear % | | | | |
| Pedal arc ratio | | Manual: 6.64 Power: 2.86 | | | | |
| Line pressure at 100 lb. pedal load | | 800 | | 1100 | | |
| Shoe Clearance | Front | | No major adjustment required | | | |
| | Rear | | " | | | |
| Brake lining | Bonded or riveted | | Bonded | | | |
| | Front Wheel | Material | Molded asbestos | | | |
| | | Size (length x width x thickness) | Prim. or out-board | 8.46 x 2.5 x .19 | 9.31 x 3.00 x .19 | 4.08 x 2.20 x 0.44 |
| | | | Second. or in-board | 11.06 x 2.5 x .24 | 11.97 x 3.00 x .24 | 4.08 x 2.20 x 0.44 |
| | Segments per shoe | | One | | | |
| | Rear Wheel | Material | Molded asbestos | | | |
| | | Size (length x width x thickness) | Prim. or out-board | 8.46 x 1.75 x .19 | 8.46 x 2.5 x .19 | 9.31 x 2.5 x .19 |
| Second. or in-board | | | 11.06 x 1.75 x .24 | 11.06 x 2.5 x .24 | 11.97 x 2.5 x .24 | |
| Segments per shoe | | One | | | | |

* Excludes rivet holes, grooves, chamfers, etc. ** Includes rivet holes, grooves, chamfers, etc.
 *** Total swept area for four brakes. (Widest lining contact width for each brake x its contact circumference.)

- (a) Inspect all brake linings for wear every 12,000 miles. Check master cylinder fluid level twice each year. Use only fluid conforming to SAE 70R3, or Chrysler Hi-Temp brake fluid.
- (b) Front: proportioning; rear: residual pressure.

AMA Specifications—Passenger Car

PLYMOUTH
 MAKE OF CAR BELVEDERE MODEL YEAR 1969 DATE ISSUED 8-16-68 REVISED (a)

| | | |
|--|----------------------|---------------|
| | Except Station Wagon | Station Wagon |
|--|----------------------|---------------|

MODEL

STEERING

| | | | | |
|--|---|-----------------------------|---|--------|
| Manual (std., opt., NA) | | Std | | |
| Power (std., opt., NA) | | Opt | | |
| Adjustable steering wheel (tilt, swing, other) | Type and description | -- | | |
| | (std., opt., NA) | NA | | |
| Wheel diameter | Manual | 16.0 | | |
| | Power | 16.0 | | |
| Turning diameter (feet) | Outside front | Wall to wall (l. & r.) | 43.7 | 44.0 |
| | | Curb to curb (l. & r.) | 40.6 | 40.9 |
| | Inside rear | Wall to wall (l. & r.) | 23.9 | 24.1 |
| | | Curb to curb (l. & r.) | 24.6 | 24.8 |
| Manual (a) | Gear | Type | Recirculating ball | |
| | | Make | Chrysler | |
| | | Ratios | Gear | 24.0:1 |
| | | Overall | 28.8:1 | |
| | No. wheel turns (stop to stop) | 5.3 | | |
| Power (b) | Type (coaxial, linkage, etc.) | | Integral | |
| | Make | | Chrysler | |
| | Gear | Type | Recirculating ball | |
| | | Ratios | Gear | 15.7:1 |
| | | Overall | 18.8:1 | |
| Pump driven by | | Belt from crankshaft pulley | | |
| No. wheel turns (stop to stop) | | 3.5 | | |
| Linkage (c) | Type | | Parallelogram, trailing, equal length tie rods | |
| | Location (front or rear of wheels, other) | | Rear | |
| | Drag link (trans. or longit.) | | Transverse center link | |
| | Tie rods (one or two) | | Two | |
| Steering Axis | Inclination at camber (deg.) | | 7.5° @ 0° | |
| | Bearings (type) | Upper | Ball joint | |
| | | Lower | Ball joint | |
| | Thrust | | Oil impregnated metal | |
| Whl. Align. (range at curb wt. & preferred) | Caster (deg.) | | Manual steering: $-1/2^{\circ} \pm 9/16^{\circ}$ Power steering: $3/4^{\circ} \pm 9/16^{\circ}$ | |
| | Camber (deg.) | | Left: $+1/2^{\circ} \pm 1/4^{\circ}$ Right: $+1/4^{\circ} \pm 1/4^{\circ}$ | |
| | Toe-in (outside track inches) | | $1/8" \pm 1/32"$ | |
| Steering spindle & joint type | | Ball joint | | |
| Wheel Spindle | Diameter | Inner bearing | 1.2494 | |
| | | Outer bearing | 0.7494 | |
| | Thread size | | 3/4-16 UNF-3A | |
| | Bearing type | | Roller | |

- (a) Check lubricant level in steering gear twice a year. If necessary, replenish with Multipurpose Gear Oil, SAE 90, to cover worm completely.
- (b) Check reservoir fluid level twice a year. Replenish to bottom of filler neck (cold) with power steering fluid part number 2084329.
- (c) Inspect tie rod ends and ball joints twice a year. Lubricate every 36,000 miles with long life chassis grease part number 2525035.

AMA Specifications—Passenger Car

| | | | | | |
|------------------------------|------------------------|----------------------------|--------------------|--------|--|
| PLYMOUTH | MODEL YEAR 1969 | DATE ISSUED 8-16-68 | REVISED (*) | | |
| MAKE OF CAR BELVEDERE | | Exc 45, 46 | | 45, 46 | |
| MODEL | Six | V-8 | | All | |
| | RL, RH, RP | RM | 426-, 440 CID | | |

SUSPENSION – GENERAL

(See Supplement page for details on Air Suspension)

| | | |
|------------------------------------|--|----------|
| Provision for car leveling | Manual adjustment at torsion bar anchor bolt | |
| Provision for brake dip control | By inclined upper control arms & asymmetrical rear springs | |
| Provision for acc. squat control | Asymmetrical rear springs | |
| Special provisions for car jacking | None | |
| Shock absorber front & rear | Type | Direct |
| | Make | Chrysler |
| | Piston dia. | 1.0 inch |
| Other special features | -- | |

SUSPENSION – FRONT (a)

| | | | | | | |
|----------------------|--|---|-----------|-----------|-----------|-----------|
| Type and description | Independent, lateral, nonparallel control arms with torsion bars | | | | | |
| Spring | Type | Torsion bar | | | | |
| | Material | Chromium alloy steel | | | | |
| | Size (coil design height & I.D. bar length x dia.) | 41 x 0.86 | 41 x 0.88 | 41 x 0.90 | 41 x 0.92 | 41 x 0.86 |
| | Spring rate (lb. per in.) | NA | | | | |
| | Rate at wheel (lb. per in.) | 95 | 102 | 111 | 118 | 95 |
| Stabilizer | Type (link, linkless, frameless) | Link; used with 426, 440 CID engine, Trailer Towing, HD Susp. | | | | |
| | Material & bar diameter | 0.94" | | | | |

SUSPENSION – REAR (b)

| | | | | | |
|--------------------------------|---|----------------------------|-------|-------|-----|
| Type and description | Parallel, longitudinal leaf | | | | |
| Drive and torque taken through | Rear springs | | | | |
| Spring | Type | Semielliptic, asymmetrical | | | |
| | Material | Chromium alloy steel | | | |
| | Size (length x width, coil design height & I.D.; bar length & dia.) | 58 x 2-1/2 | | | |
| | Spring rate (lb. per in.) | 90 | 113 | 130 | 113 |
| | Rate at wheel (lb. per in.) | 110 | 138 | 150 | 138 |
| | Mounting insulation type | Rubber | | | |
| If leaf | No. of leaves | 4-1/2 | 6 (c) | 5-1/2 | |
| | Shackle (comp. or tens.) | Compression | | | |
| Stabilizer | Type (link, linkless, frameless) | None | | | |
| | Material | -- | | | |
| Track bar type | None | | | | |

- (a) Inspect front suspension ball joints twice a year. Replace damaged joints or seals. Lubricate every 3 years or 36,000 miles. Multimileage lubricant part number 2525035 is recommended.
- (b) Do not lubricate rear springs, spring eye or shackle bushings, or shock absorber bushings. Lubricants cause deterioration of bushings.
- (c) Right side: 5 plus 2-half leaves.

AMA Specifications—Passenger Car

| | | | | | | | | |
|-------------|-----------------------|------|------------|------|-------------|---------|-------------|--|
| MAKE OF CAR | PLYMOUTH BELVEDERE | | MODEL YEAR | 1969 | DATE ISSUED | 8-16-68 | REVISED (*) | |
| MODEL | 21 | 23 | 27 | 41 | 45 | 46 | | |
| FRAME | L, M | M, H | P, S | M, H | P, S | L, H, P | H, P | |

| | |
|---|-------------------|
| Type and description (Separate frame, unitized frame, partially - unitized frame) | Unit construction |
|---|-------------------|

BODY - MISCELLANEOUS INFORMATION

| | | | | | |
|--|-------------|--|-------|------|------|
| Drs. hinged (front, rr.) | Front doors | Front | | | |
| | Rear doors | -- | Front | | |
| Type of finish (lacquer, enamel, other) | | Buffable acrylic enamel | | | |
| Hood counterbalanced (yes, no) | | Yes | | | |
| Hood release control (internal, external) | | External | | | |
| Vehicle Ident. No. location | | Left end instrument panel | | | |
| Engine No. location | | Not applicable | | | |
| Theft protection - type | | Pin tumbler key locks on ignition switch, doors, luggage compartment | | | |
| Vent window control method (crank, friction pivot) | Front | Friction pivot | | | |
| | Rear | Swing-out (coupe); None (all others) | | | |
| Seat cushion type | Front | FW | ZZ | FW | ZZ |
| | Rear | FW | | | |
| | 3rd seat | -- | | | ZZ |
| Seat back type | Front | C | ZZ | C | ZZ |
| | Rear | FW | | C | FW |
| | 3rd seat | | -- | | C |
| Windshield glass type (i.e., single curved - laminated plate) | | Single curved laminated plate | | | |
| Side glass type (i.e., curved - tempered plate) | | Curved heat treated safety sheet | | | |
| Backlight glass type (i.e., compound curved - tempered plate, three piece) | | Single curved heat treated safety sheet | | | |
| Windshield glass exposed surface area | | 1146 | | 1264 | 1317 |
| Side glass exposed surface area | 1297 | 1067 | 1215 | 1333 | 2493 |
| Backlight glass exposed surface area | | 1158 | 629 | 1044 | 725 |
| Total glass exposed surface area | 3601 | 3371 | 3108 | 3694 | 4535 |
| | | | | | |
| | | | | | |
| | | | | | |
| | | | | | |
| | | | | | |

FW: Formed wire
ZZ: Zigzag
C: Coil

AMA Specifications—Passenger Car

Page 23

Page 23

PLYMOUTH
MAKE OF CAR BELVEDERE **MODEL YEAR** 1969 **DATE ISSUED** 8-21-68 **REVISED** (a) 2-14-69

| | | | | | |
|--------------|----|----|----|----|----|
| MODEL | RL | RM | RH | RP | RS |
|--------------|----|----|----|----|----|

CONVENIENCE EQUIPMENT

(Indicate whether standard, optional or NA on each series)

| | | | | | | |
|--|-----------------------|----|---|--|----|--|
| Power windows | Side windows | NA | Opt (except station wagon) | | | |
| | Vent windows | | NA | | | |
| | Backlight or tailgate | | Opt-45, Std-46 | | -- | |
| Power seats (specify type as well as availability) | | | NA | | | |
| Reclining front seat back (R-L or both) | | | NA | | | |
| Front seat head restrainer (R-L or both) | | | Opt | | | |
| Radios (specify type as well as availability) | | | Opt: AM, AM-FM | | | |
| Rear seat speaker | | | Opt (except convertibles and station wagons) | | | |
| Power antenna | | | NA | | | |
| Clock | | | Opt (NA with tachometer) | | | |
| Air conditioner (specify type and availability) | | | Opt: except 426 CID Hemi and 383, 4-V, 440 Hi-Perf with manual transmission | | | |
| Speed warning device | | | See below | | | |
| Speed control device | | | Opt (NA with manual transmission, 6-cyl engines & 426 CID V-8) | | | |
| Ignition lock lamp | | | Opt | | | |
| Dome lamp | | | Std: NA 27 | | | |
| Glove compartment lamp | | | Opt | | | |
| Luggage compartment lamp | | | Opt (except station wagons) | | | |
| Underhood lamp | | | Opt: dealer-installed | | | |
| Courtesy lamp | | | Opt (Std in all convertibles) | | | |
| Map lamp | | | Opt | | | |
| Auto. trans. quad. lamp | | | Std with automatic transmission with console | | | |
| Cornering light lamp | | | NA | | | |
| Shoulder belt | | | Std: front seat; Opt: rear seat | | | |
| Rear window defogger | | | Opt: except 27, 45, 46 | | | |
| Tachometer | | | Opt (8-cyl cars only) | | | |
| Tail gate window washer | | | Opt with electric tail gate | | -- | |

LAMP HEIGHT AND SPACING

| Height above ground to center of bulb or marker | Headlamp | Highest * | | | | | |
|---|------------|-----------|----------|------|----------|------|------|
| | | Lowest | | | | | |
| | Tail | Highest | 27.7 (a) | 27.8 | 27.7 (a) | 27.5 | 28.1 |
| | | Lowest | | | | | |
| | Sidemarker | Front | | | | | |
| | | Rear | | | | | |
| Distance from C/L of car to center of bulb | Headlamp | Inside | | | | | |
| | | Outside * | | | | | |
| | Tail | Inside | | | | | |
| | | Outside | 30.6 (b) | | 30.5 | | |
| Directional | Front | | | | | | |
| | Rear | | | | | | |

* If single headlamps are used enter here.

(a) V-8: 27.6

(b) Station wagons: 33.4

AMA Specifications—Passenger Car

PLYMOUTH
MAKE OF CAR BELVEDERE MODEL YEAR 1969 DATE ISSUED 8-21-68 REVISED (*)2-14-69

WEIGHTS

| 6-CYLINDER MODELS Model | CURB WEIGHT * POUNDS | | | % PASS. WEIGHT DISTRIBUTION | | | | LIQUID WEIGHT | |
|----------------------------|----------------------|------|-------|-----------------------------|------|---------------|------|---------------|---------|
| | Fron. | Rear | Total | Pass. In Front | | Pass. In Rear | | Fuel | Coolant |
| | | | | Front | Rear | Front | Rear | | |
| <u>Belvedere</u> | | | | | | | | | |
| 2-Door Sedan | 1675 | 1480 | 3155 | 49.1 | 50.9 | 21.8 | 78.2 | 120 lb | 29 lb |
| 4-Door Sedan | 1680 | 1500 | 3180 | 49.1 | 50.9 | 19.7 | 80.3 | 120 | 29 |
| 2-Seat, Station Wagon | 1625 | 2035 | 3660 | 49.4 | 50.6 | 20.2 | 79.8 | 114 | 29 |
| <u>Satellite</u> | | | | | | | | | |
| 2-Door Hardtop | 1700 | 1480 | 3180 | 49.1 | 50.9 | 21.8 | 78.2 | 120 | 29 |
| Convertible Coupe | 1715 | 1585 | 3300 | 49.1 | 50.9 | 21.4 | 78.6 | 120 | 29 |
| 4-Door Sedan | 1685 | 1500 | 3185 | 49.1 | 50.9 | 19.7 | 80.3 | 120 | 29 |
| 2-Seat, Station Wagon | 1630 | 2035 | 3665 | 49.4 | 50.6 | 20.2 | 79.8 | 114 | 29 |
| 3-Seat, Station Wagon | 1640 | 2100 | 3740 | 49.4 | 50.6 | 20.2 | 79.8 | 114 | 29 |

____ Note: Shipping weight may be calculated by subtracting the fuel and coolant
 _____ weights in the last columns from the curb weights in the third column.

| | | | | | | | | | |
|--|--|--|--|--|--|--|--|--|--|
| | | | | | | | | | |
| | | | | | | | | | |
| | | | | | | | | | |
| | | | | | | | | | |
| | | | | | | | | | |

| Accessories & Equipment Differential Weights | | | | Remarks |
|--|------|-----|------|-------------------------------------|
| Air Conditioner | +113 | - 3 | +110 | |
| 3-Speed Manual Trans. | - 17 | -10 | - 27 | |
| Power Steering | + 43 | - 2 | + 41 | |
| Power Brakes | + 7 | + 2 | + 9 | |
| Power Windows | + 8 | + 9 | + 17 | 2-door hardtop and convertible only |
| Radio | + 5 | + 2 | + 7 | |
| Roof Luggage Rack | + 1 | +21 | + 22 | Wagon only |
| Power Tail Gate Window | - 2 | + 7 | + 5 | 2-seat, station wagon |
| Undercoat | + 26 | +25 | + 51 | Except wagon |
| Undercoat | + 23 | +13 | + 36 | Wagon only |
| | | | | |
| | | | | |
| | | | | |
| | | | | |
| | | | | |
| | | | | |
| | | | | |
| | | | | |
| | | | | |

* Reference - SAE Aerospace-Automotive drawing standards, Section E 1.02 (d).

AMA Specifications—Passenger Car

MAKE OF CAR PLYMOUTH BELVEDERE MODEL YEAR 1969 DATE ISSUED 8-22-68 REVISED (*) 2-14-69

WEIGHTS

| Model | CURB WEIGHT * POUNDS | | | % PASS. WEIGHT DISTRIBUTION | | | | LIQUID WEIGHT | |
|------------------------|----------------------|------|-------|-----------------------------|------|---------------|------|---------------|---------|
| | Fron. | Rear | Total | Pass. In Front | | Pass. In Rear | | Fuel | Coolant |
| | | | | Front | Rear | Front | Rear | | |
| V-8 MODELS | | | | | | | | | |
| Belvedere | | | | | | | | | |
| 2-Door Coupe | 1730 | 1525 | 3255 | 49.1 | 50.9 | 21.8 | 78.2 | 120 lb | 36 lb |
| 4-Door Sedan | 1740 | 1545 | 3285 | 49.1 | 50.9 | 19.7 | 80.3 | 120 | 36 |
| Station Wagon | 1675 | 2040 | 3715 | 49.4 | 50.6 | 20.2 | 79.8 | 114 | 36 |
| Satellite | | | | | | | | | |
| 2-Door Hardtop | 1740 | 1550 | 3290 | 49.1 | 50.9 | 21.8 | 78.2 | 120 | 36 |
| Convertible Coupe | 1770 | 1635 | 3405 | 49.1 | 50.9 | 21.4 | 78.6 | 120 | 36 |
| 4-Door Sedan | 1740 | 1545 | 3285 | 49.1 | 50.9 | 19.7 | 80.3 | 120 | 36 |
| 2-Seat, Station Wagon | 1670 | 2050 | 3720 | 49.4 | 50.6 | 20.2 | 79.8 | 114 | 36 |
| 3-Seat, Station Wagon | 1675 | 2110 | 3785 | 49.4 | 50.6 | 20.2 | 79.8 | 114 | 36 |
| Road Runner | | | | | | | | | |
| 2-Door Coupe | 1950 | 1590 | 3540 | 49.1 | 50.9 | 21.8 | 78.2 | 120 | 36 |
| 2-Door Hardtop | 1955 | 1600 | 3555 | 49.1 | 50.9 | 21.8 | 78.2 | 120 | 36 |
| Convertible Coupe | 1975 | 1700 | 3675 | 49.1 | 50.9 | 21.4 | 78.6 | 120 | 36 |
| Sport Satellite | | | | | | | | | |
| 2-Door Hardtop | 1740 | 1550 | 3290 | 49.4 | 50.6 | 21.8 | 78.2 | 120 | 36 |
| Convertible Coupe | 1765 | 1640 | 3405 | 49.4 | 50.6 | 21.4 | 78.6 | 120 | 36 |
| 4-Door Sedan | 1755 | 1570 | 3325 | 49.4 | 50.6 | 19.7 | 80.3 | 120 | 36 |
| 2-Seat, Station Wagon | 1675 | 2050 | 3725 | 49.4 | 50.6 | 20.2 | 79.8 | 114 | 36 |
| 3-Seat, Station Wagon | 1680 | 2115 | 3795 | 49.4 | 50.6 | 20.2 | 79.8 | 114 | 36 |
| GTX | | | | | | | | | |
| 2-Door Hardtop | 1980 | 1640 | 3620 | 49.4 | 50.6 | 21.8 | 78.2 | 120 | 38 |
| Convertible Coupe | 2010 | 1735 | 3745 | 49.4 | 50.6 | 21.4 | 78.6 | 120 | 38 |

Note: All Curb Weights Include Automatic Transmissions.

| Accessories & Equipment Differential Weights | | | | Remarks |
|--|------|------|------|--|
| Air Conditioning | +120 | - 3 | +117 | 318 CID - all except convertible |
| Air Conditioning | +123 | + 4 | +127 | 318 CID - convertible |
| 3-Speed Manual Trans. | + 15 | +11 | + 26 | 318 CID |
| 4-Speed Manual Trans. | + 37 | +13 | + 50 | Road Runner |
| 4-Speed Manual Trans. | + 53 | +58 | +111 | GTX |
| 383 CID 1, 2-V | +143 | +14 | +157 | With automatic transmission |
| 383 CID 1, 2-V | +180 | +27 | +207 | With 4-speed manual transmission |
| 383 CID 1, 4-V | +164 | +42 | +206 | With automatic transmission |
| 383 CID 1, 4-V | +201 | +55 | +256 | With 4-spd man. trans. (all exc Road Runner) |
| 426 CID | +172 | +32 | +204 | GTX with automatic transmission |
| 426 CID | +211 | +91 | +302 | GTX with 4-speed manual transmission |
| 426 CID | +193 | +52 | +245 | Road Runner with automatic transmission |
| 426 CID | +232 | +111 | +343 | Road Runner with 4-speed manual trans. |
| Power Steering | + 41 | - 2 | + 39 | |
| Power Brakes | + 7 | + 2 | + 9 | |
| Power Windows | + 8 | + 9 | + 17 | 2-door hardtop and convertible only |
| Radio | + 5 | + 2 | + 7 | |
| Roof Luggage Rack | + 7 | +15 | + 22 | |
| Undercoat | + 26 | +25 | + 51 | Except wagon |
| Undercoat | + 23 | +13 | + 36 | Wagon |

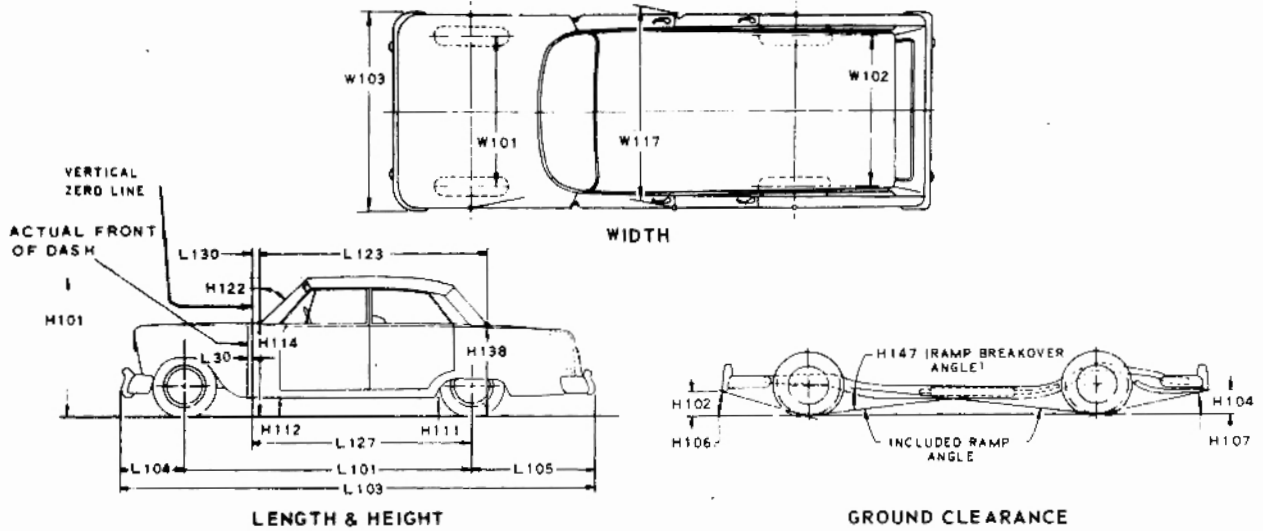
*Reference - SAE Aerospace-Automotive drawing standards, Section E 1.02 (d).

AMA Specifications—Passenger Car

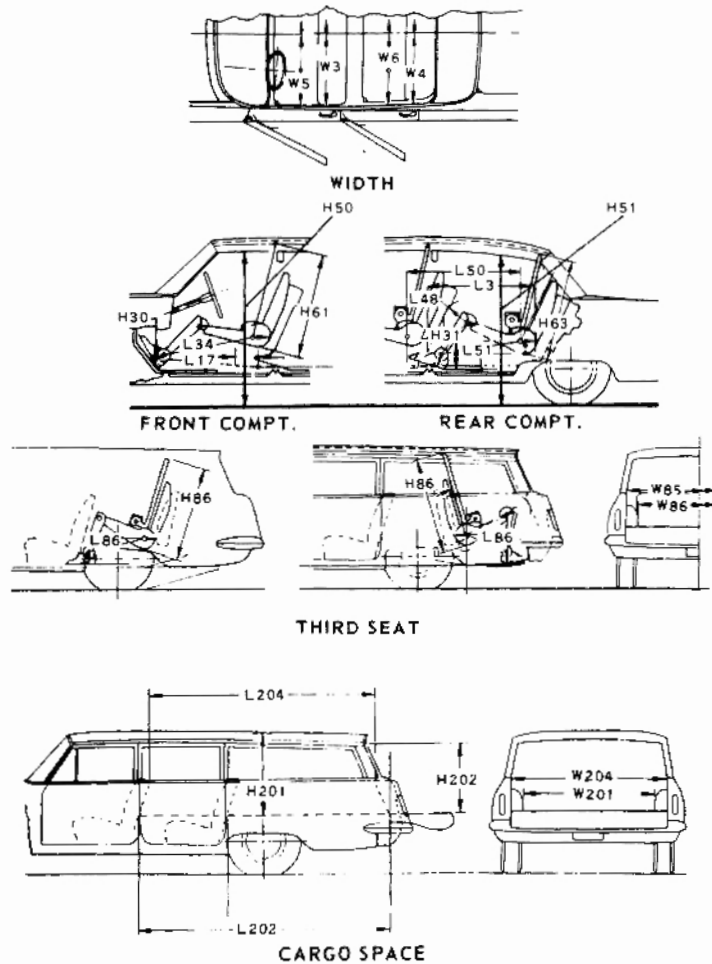
CAR AND BODY DIMENSIONS

KEY SHEET

EXTERIOR CAR AND BODY DIMENSIONS



INTERIOR CAR AND BODY DIMENSIONS



CAR AND BODY DIMENSIONS

KEY SHEET

DIMENSION DEFINITIONS

EXTERIOR WIDTH DIMENSIONS

- W101 WHEEL TREAD - FRONT. Measured at centerline of tires, with nominal camber, at ground.
 W102 WHEEL TREAD - REAR. Measured at centerline of tires at ground.
 W103 MAXIMUM OVERALL CAR WIDTH. Include bumpers, moldings, or sheet metal protrusions. Measured to outside of metal.
 W117 MAXIMUM BODY WIDTH AT #2 PILLAR. Measured across body at #2 pillar, excluding hardware and applied moldings.

EXTERIOR LENGTH DIMENSIONS

- L 30 VERTICAL ZERO LINE TO ACTUAL FRONT OF DASH. If actual Front of Dash is to the rear of Body Zero Line, it is identified by a minus (-) sign.
 L101 WHEELBASE.
 L103 OVERALL LENGTH. Include bumper guards if standard equipment.
 L104 OVERHANG - FRONT. Measured from C/L of front wheels to front of car, including bumper guards if standard equipment.
 L105 OVERHANG - REAR. Measured from C/L of rear wheels to rear of car, including bumper guards if standard equipment.
 L123 BODY UPPER STRUCTURE LENGTH AT CAR CENTERLINE. The horizontal dimension from the Cowl Point to the Deck Point.
 L127 VERTICAL ZERO LINE TO CENTERLINE OF REAR WHEELS. A horizontal dimension.
 L130 VERTICAL ZERO LINE TO WINDSHIELD COWL POINT. The horizontal dimension from the vertical zero line to the theoretical intersection of extended windshield glass plane and normal cowl surface.

EXTERIOR HEIGHT DIMENSIONS

- H101 OVERALL HEIGHT - DESIGN. Measured with the vehicle in Manufacturer's Design Weight attitude.
 H114 COWL POINT TO GROUND. Measured at vehicle centerline.
 H138 DECK POINT TO GROUND. Measured at vehicle centerline.
 H112 ROCKER PANEL TO GROUND - FRONT. The vertical dimension from ground to bottom of rocker panel, excluding flanges. Measured to the outside of sheet metal at foremost point of rocker panel.
 H111 ROCKER PANEL TO GROUND - REAR. The vertical dimension from ground to bottom of rocker panel, excluding flanges. Measured to the outside of sheet metal at front of rear wheel opening.
 H122 WINDSHIELD SLOPE ANGLE. The angle between a vertical line and the windshield surface at car centerline. On compound-curved windshields the chord of the arc is used and limited to that section of the windshield comprehended by an 18-inch chord.

GROUND CLEARANCE DIMENSIONS

- H102 BUMPER TO GROUND - FRONT. Minimum dimension, includes bumper guards.
 H104 BUMPER TO GROUND - REAR. Minimum dimension, includes bumper guards.
 H106 ANGLE OF APPROACH. The angle between ground and a line tangent to the front tire static loaded radius arc and the first point of interference, i.e., bumper, guard, gravel deflector, fender or other component, excluding license plate. This dimension may be determined graphically for reporting purposes.
 H107 ANGLE OF DEPARTURE. The angle between ground and a line tangent to the rear tire static loaded radius arc and the first point of interference, i.e., bumper, guard, gravel deflector, tail pipe, fender or other component, excluding license plate. This dimension may be determined graphically for reporting purposes.
 H147 RAMP BREAKOVER ANGLE. The supplement of included ramp angle (180° minus included ramp angle) over which car can pass without interference; measured with car sitting on a level surface, using lines tangent to arcs of front and rear static loaded radii and intersecting at point on underside of car which defines the smallest angle.
 H156 MINIMUM RUNNING GROUND CLEARANCE. Location of measurement on the car is to be clearly recorded.

FRONT COMPARTMENT DIMENSIONS

- H 61 EFFECTIVE HEAD ROOM - FRONT. The dimension from H Point to the headlining, plus a constant of 4.0 inches, measured along a line 8° to rear of vertical.
 L 34 MAXIMUM EFFECTIVE LEG ROOM - ACCELERATOR. Measured along a diagonal line from the Manikin ankle pivot center to the H Point plus a constant of 10.0 inches. For treadle type accelerator pedals, the leg room is measured with the Manikin's right foot on the accelerator pedal and the Manikin Heel Point at Accelerator Heel Point. All other types of accelerator pedals will be measured with the Manikin foot angle set at 87° and the shoe touching the pedal.
 H 30 H POINT TO HEEL POINT - FRONT. The vertical dimension from the H Point to the Accelerator Heel Point.
 L 17 H POINT TRAVEL. The horizontal dimension between the H Point in the most forward and rearward seat positions.

FRONT COMPARTMENT DIMENSIONS (Cont.)

- W 3 SHOULDER ROOM - FRONT. The minimum lateral dimensions between the door garnish moldings or nearest interference, measured at the H Point station.
 W 5 HIP ROOM - FRONT. The lateral dimension through the H Point to trimmed body surfaces. Depress loose side wall cloth to trim foundation or other obstruction if such construction exists.
 H 50 UPPER BODY OPENING TO GROUND - FRONT. The vertical dimension from a point on the trimmed body opening to the ground, measured at the H Point station.

REAR COMPARTMENT DIMENSIONS

- L 50 H POINT COUPLE DISTANCE. The horizontal dimension from the front seat H Point to the rear seat H Point.
 H 63 EFFECTIVE HEAD ROOM - REAR. The dimension from the H Point to the headlining, plus a constant of 4.0 inches, measured along a line 8° to rear of vertical.
 L 51 MINIMUM EFFECTIVE LEG ROOM - REAR. Measured along a diagonal line from the ankle pivot center to the H Point plus a constant of 10.0 inches, with the foot positioned to the nearest interference between the seat structure and toe, instep or lower leg.
 H 31 H POINT TO HEEL POINT - REAR. The vertical dimension from the H Point to the Manikin Heel Point on the depressed floor covering.
 L 48 MINIMUM KNEE ROOM - REAR. The minimum dimension from the Manikin knee pivot center to the back of the front seat back.
 L 3 REAR COMPARTMENT ROOM. The horizontal dimension from the back of front seat to front of rear seat back at height tangent to the top of rear seat cushion.
 W 4 SHOULDER ROOM - REAR. The minimum lateral dimension between the door garnish molding or nearest interference. Measured at H Point station.
 W 6 HIP ROOM - REAR. The lateral dimension through H Point to trimmed body surfaces. Depress loose side wall cloth to trim foundation or other obstruction when such construction exists.
 H 51 UPPER BODY OPENING TO GROUND - REAR. The vertical dimension from a point on the trimmed body opening to the ground, measured 13.0 inches forward of the H Point.

LUGGAGE COMPARTMENT DIMENSIONS

- V 1 LUGGAGE CAPACITY - USABLE. The total luggage compartment luggage capacity in cubic feet with the tire and tools in place.
 H195 LIFTOVER HEIGHT. Vertical dimension from the highest point on the luggage compartment lower opening to ground, excluding corner radii.

STATION WAGON - THIRD SEAT DIMENSIONS

- W 85 SHOULDER ROOM - THIRD SEAT. The minimum lateral dimension between the door garnish moldings or nearest interference. Measured at H Point station.
 W 86 HIP ROOM - THIRD SEAT. The lateral dimension through H Point to trimmed surfaces.
 L 86 EFFECTIVE LEG ROOM - THIRD SEAT. Measured along a diagonal line from ankle pivot center to H Point plus a constant of 10.0 inches. With rear-facing third seat, foot is positioned in foot well or to nearest interference with rear end or rear closure.
 H 86 EFFECTIVE HEAD ROOM - THIRD SEAT. The dimension from H Point to the headlining, plus a constant of 4.0 inches. Measured along a line 8° to rear of vertical.

STATION WAGON - CARGO SPACE DIMENSIONS

- L202 CARGO LENGTH AT FLOOR - FRONT SEAT. The horizontal dimension, measured at the floor level from the rear of the front seat back to the normal inside limiting interference on the tailgate, on the car centerline.
 L204 CARGO LENGTH AT BELT - FRONT SEAT. The horizontal dimension measured from the top rear of front seat back to a vertical extension line from the normal inside limiting interference at the top of the tailgate, on the car centerline.
 W201 CARGO WIDTH - WHEELHOUSE. The minimum horizontal dimension, measured between wheelhousings at floor level.
 W204 OPENING WIDTH AT BELT. The minimum horizontal dimension, measured between the nearest normal inside limiting interferences of the rear opening at the top of the tailgate.
 H201 MAXIMUM CARGO HEIGHT. The maximum vertical dimension, measured from the top of the floor covering to the headlining, on the car centerline.
 H202 REAR OPENING HEIGHT. The vertical dimension measured from the top of the floor covering to the normal inside limiting interference at the top of the rear opening, on the car centerline, with both tail-and liftgates fully open.
 V 2 CARGO VOLUME INDEX BEHIND FRONT SEAT. The total volume in cubic feet above the normal load floor and behind the front seat with the liftgate and tailgate closed.

W4xL204xH201

1728

INDEX

| SUBJECT | PAGE NO. | SUBJECT | PAGE NO. |
|------------------------------------|------------|--------------------------------------|----------------------|
| Automatic Transmission | 16 | Kingpin (Steering Axis) | 20 |
| Axis, Steering | 20 | Lamp height and spacing | 23 |
| Axle, Rear | 17 | Legroom | 2 |
| Battery | 12 | Lengths — Car and Body | 1 |
| Bearings, Engine | 5, 6, 7 | Lifters, valve | 6 |
| Belts — Fan, Generator, Water Pump | 11 | Linings — Clutch, Brake | 14, 19 |
| Brakes — Parking, Service Power | 18, 19 | Lubrication | 7, 8, 14, 15, 16, 17 |
| Camber | 20 | Luggage Compartment | 2 |
| Camshaft | 6 | Motor, Starting | 12 |
| Capacities | | Muffler | 8 |
| Cooling System | 11 | Overdrive | 15 |
| Fuel Tank | 10 | Piston Pins & Rings | 4, 5 |
| Lubricants | | Pistons | 4, 5 |
| Engine Crankcase | 8 | Power Brakes | 19 |
| Transmission and Overdrive | 15, 16 | Power Steering | 20 |
| Rear Axle | 17 | Power Teams | 3 |
| Car and Body Dimensions | | Propeller Shaft, Universal Joints | 16, 17 |
| Width | 1 | Pumps — Oil, Fuel | 8, 10 |
| Length | 1 | Water | 11 |
| Height | 1 | Radiator, Hoses | 11 |
| Ground Clearance | 1 | Ratios — Axle | 3, 17 |
| Front Compartment | 2 | Compression | 3, 4 |
| Rear Compartment | 2 | Steering | 20 |
| Luggage Compartment | 2 | Transmission | 15, 16 |
| Station Wagon — Third Seat | 2 | Rear Axle | 3, 17 |
| Station Wagon — Cargo Space | 2 | Regulator — Generator | 12 |
| Carburetor | 3, 9, 10 | Rims | 18 |
| Caster | 20 | Rings, Piston | 5 |
| Choke, Automatic | 10 | Rods — Connecting | 5 |
| Clutch — Pedal Operated | 14 | Shock Absorbers, Front & Rear | 21 |
| Coil, Ignition | 13 | Spark Plugs | 13 |
| Connecting Rods | 5 | Speedometer | 14 |
| Convenience Equipment | 23 | Springs — Front & Rear Suspension | 21 |
| Cooling System | 11 | Valve, Engine | 6 |
| Crankcase Ventilation System | 8 | Stabilizer (Sway Bar) — Front & Rear | 21 |
| Crankshaft | 6 | Starting System | 12 |
| Cylinders and Cylinder Head | 4 | Steering | 20 |
| Dimension Definitions | | Supply System | 12 |
| Key Sheet | 25 | Suppression — Ignition, Radio | 13 |
| Exterior & Interior | 26 | Suspension — Front & Rear | 21 |
| Distributor — Ignition | 13 | Tail Pipe | 8 |
| Electrical System | 12, 13, 14 | Thermostat, Cooling | 11 |
| Engine | | Timing, Engine & Valve | 6, 7, 13 |
| Bore, Stroke, Displacement, Type | 4 | Tires | 18 |
| Compression Ratio | 4 | Toe in | 20 |
| Firing Order, Cylinder Numbering | 4 | Torque Converter | 16 |
| General Information, H.P. & Torque | 4 | Torque — Engine, Rated | 3, 4 |
| Lubrication | 7, 8 | Transmission — Types | 3, 10, 15, 16 |
| Power Teams | 3 | Automatic | 3, 10, 15, 16 |
| Exhaust Emission Control | 9 | Manual & Overdrive | 3, 10, 15 |
| Exhaust System | 8 | Ratios | 15, 16 |
| Equipment Availability | 22 | Track | 1 |
| Fan, Cooling | 11 | Trunk Luggage Capacity | 2 |
| Filters — Engine Oil, Fuel System | 8, 10 | Turning Diameter | 20 |
| Frame | 22 | Unitized Construction | 22 |
| Front Suspension | 21 | Universal Joints, Propeller Shaft | 16, 17 |
| Fuel, Fuel Pump, Fuel System | 4, 10 | Valves — Intake & Exhaust | 6, 7 |
| Fuel Injection | 10 | Vibration Damper | 6 |
| Generator and Regulator | 12 | Voltage Regulator | 12 |
| Glass | 22 | Water Pump | 11 |
| Height (Lamps) | 14 | Weights | 24 |
| Headroom — Body | 2 | Wheel Alignment | 20 |
| Heights — Car and Body | 1 | Wheelbase | 1 |
| Horns | 14 | Wheels & Tires | 18 |
| Horsepower — Brake | 3, 4 | Wheel Spindle | 20 |
| Ignition System | 13 | Widths — Car and Body | 1 |
| Inflation — Tires | 18 | Windshield | 22 |
| Instruments | 14 | Windshield Wiper | 14 |