

PARTS TO BE INSTALLED ON THE 35Y74 INDIANAPOLIS PACE CAR

THE CHART BELOW ITEMIZES PARTS TO BE INSTALLED (AND DELETED), FOR WHICH THERE ARE NO SPECIFIC PICTORIAL ILLUSTRATIONS. THESE PARTS ARE TO BE INSTALLED IN A MANNER SIMILAR TO THE REGULAR PRODUCTION PARTS, AND MANUAL REFERENCES ARE GIVEN FOR THEIR INSTALLATION.

35Y74 PART NO.	NAME OR DESCRIPTION	REPLACES PART NO.	INSTALL SIMILAR TO	
			MAN. SEC.	PAGE
409292-R, H. 409293-L, H.	FENDER ASM (AFTER PIERCE) 4267	405736 405737	11	
(A) 405738-R, H. 405739-L, H.	FENDER ASM (AFTER PIERCE) 4467		11	
409134 409066	TIRE UNIT ASSEMBLY (FIRESTONE) TIRE UNIT ASSEMBLY (GOODYEAR)	3974780 3974781 3974782 3974783		
409059	WHEEL ASSEMBLY	3928297 3966936 9791450 9798480	10	95
9796919	RING ASSEMBLY - TRIM			
409067	PAINT STRIPE - FRONT FENDER			
409077	DECALS - HOOD AND FRONT FENDER			
409086	DECALS - BODY			
911344-R, H. 911343-L, H.	LAMP ASSEMBLY - FRONT SIDE MARKER	917132 917131	11	124
404626-R, H. 404627-L, H.	MOULDINGS - FRONT WHEEL OPENING	404628 404629	11	152
	CUSTOM TRIM WHEEL ASSEMBLY		10	112
409287	DECAL (OLDSMOBILE)(DOOR)			
(A) 409288	DECAL (OFFICIAL PACE CAR)(DOOR)			
409289	DECAL (MAY 30, 1970)(DOOR)			

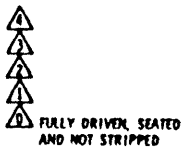
THE FOLLOWING REGULAR OPTIONS ARE MANDATORY:

- 35D35 - OUTSIDE SPORT MIRROR (INSTALLED BY FISHER)
- 35W25 - FORCED AIR INDUCTION SYSTEM

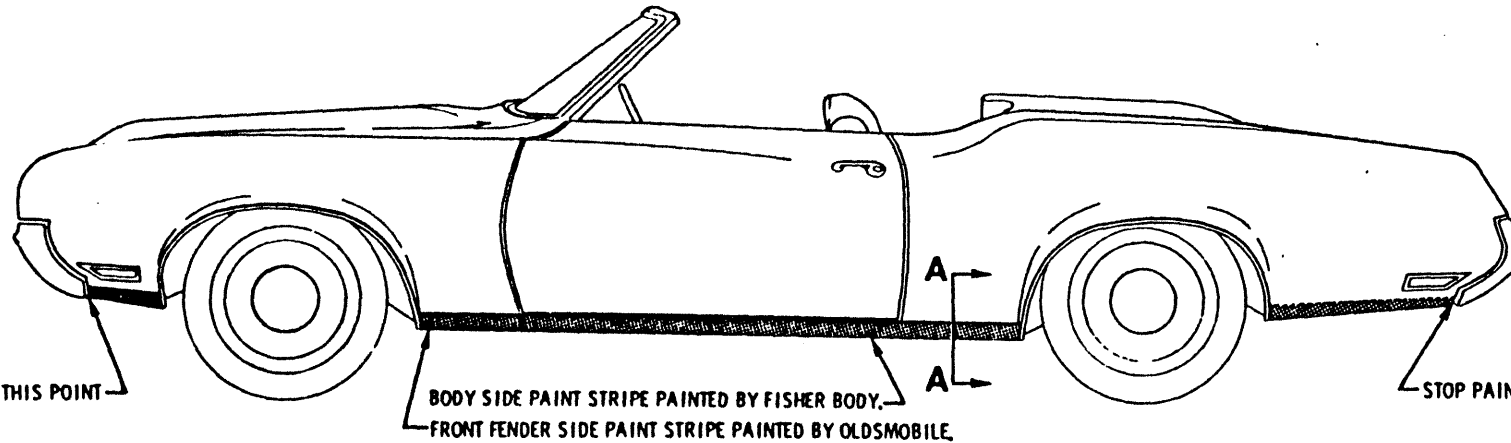
REFERENCE:

- RELEASE TO FISHER BODY N-206-OR AND N-206-OR, SUPP. #1
- BR-45188 - REQUIREMENTS, PAINTING
- OLDSMOBILE ENGINEERING ORDER #70-648

PART OF PACKAGE 409286



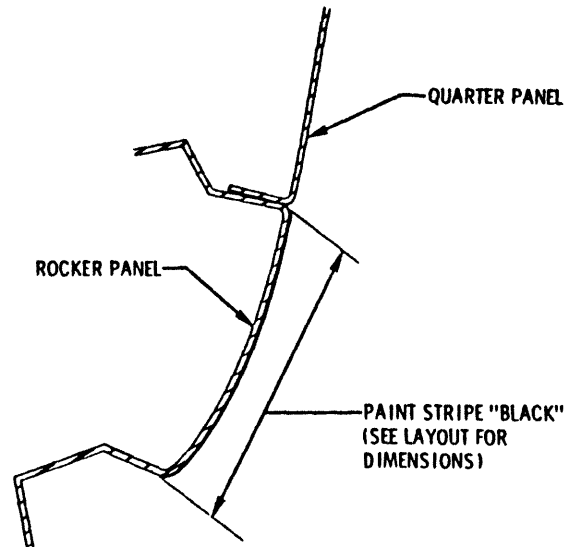
				TITLE INDIANAPOLIS PACE CAR			
				DATE MAR. 6, 1970		FIRST USED 1970	
				DR BY A. F. PALTELKY		OLDSMOBILE PRODUCT INFORMATION MANUAL	
				CHECKED [Signature]		MANUAL SEC. PAGE 35Y74 100	
				APPR. [Signature]		SERIES A	
				REF. 35Y74		PART NO. 404411	
DATE	SYM.	REVISION	DR.	CK.	DATE	SYM.	REVISION
					3-31-70	A	CHART REVISED



STOP PAINT STRIPE AT THIS POINT

BODY SIDE PAINT STRIPE PAINTED BY FISHER BODY.
FRONT FENDER SIDE PAINT STRIPE PAINTED BY OLDSMOBILE.

STOP PAINT STRIPE AT THIS POINT



SECTION "A - A"
(TYPICAL)

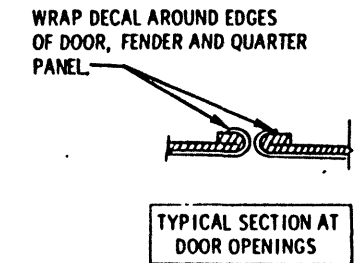
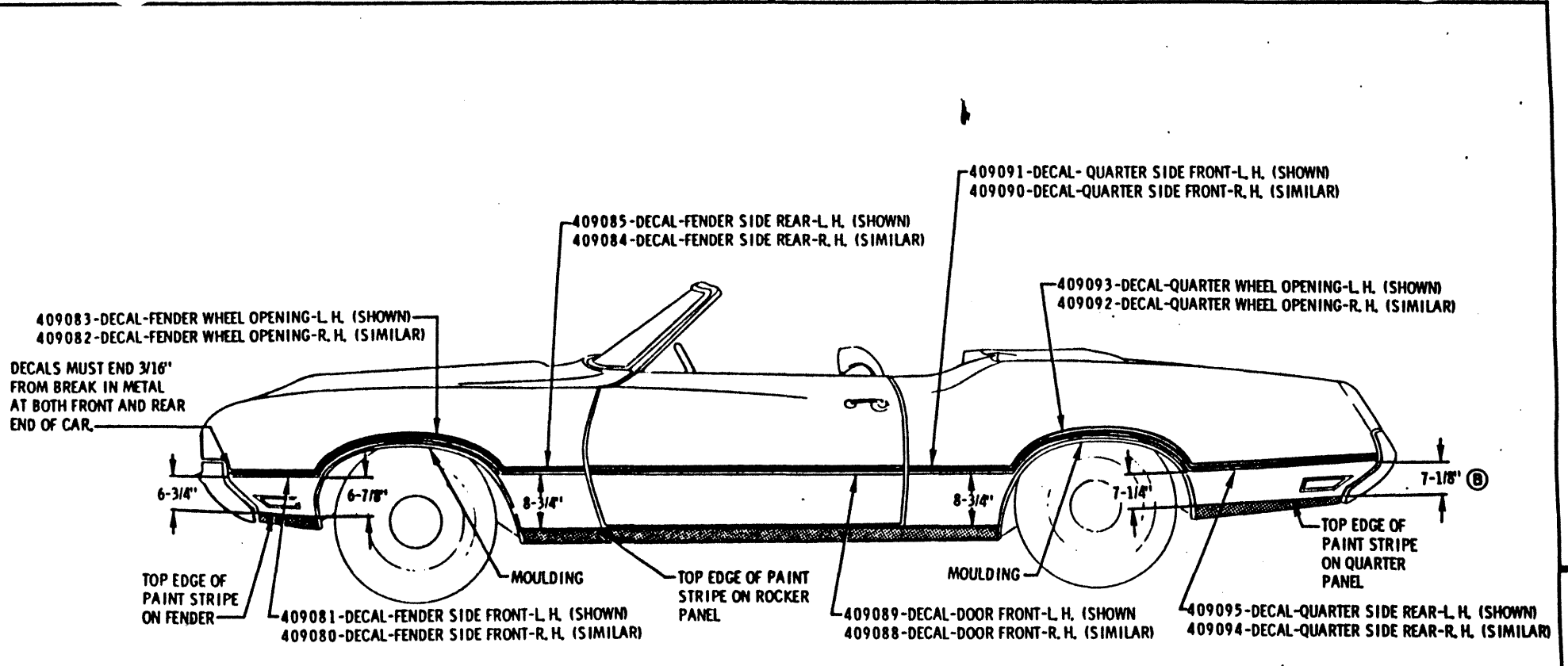
(REF) LAYOUT NO. 409067 & BR-45188

(SERIES 4267 & 4467)



FULLY DRIVEN, SEATED
AND NOT STRIPPED

DATE	SYM	REVISION	DR	CR	DATE	SYM	REVISION	DR	CR	TITLE	FIRST USED	OLDSMOBILE PRODUCT INFORMATION MANUAL	MANUAL SEC.	PAGE
										INDIANAPOLIS PACE CAR - PAINT STRIPE	1970		35Y74	102
										DATE MAR 6 1970				
										DR BY A. F. PALTELKY				
										CHECKED <i>Tina</i>				
										APPR. <i>And Jarty</i>	REF. 35Y74	SERIES A	PART NO. 404411	



TYPICAL INSTALLATION OF FENDER AND BODY DECALS

NOTE:
FENDER DECALS ARE PART OF KIT 409077
BODY DECALS ARE PART OF KIT 409086

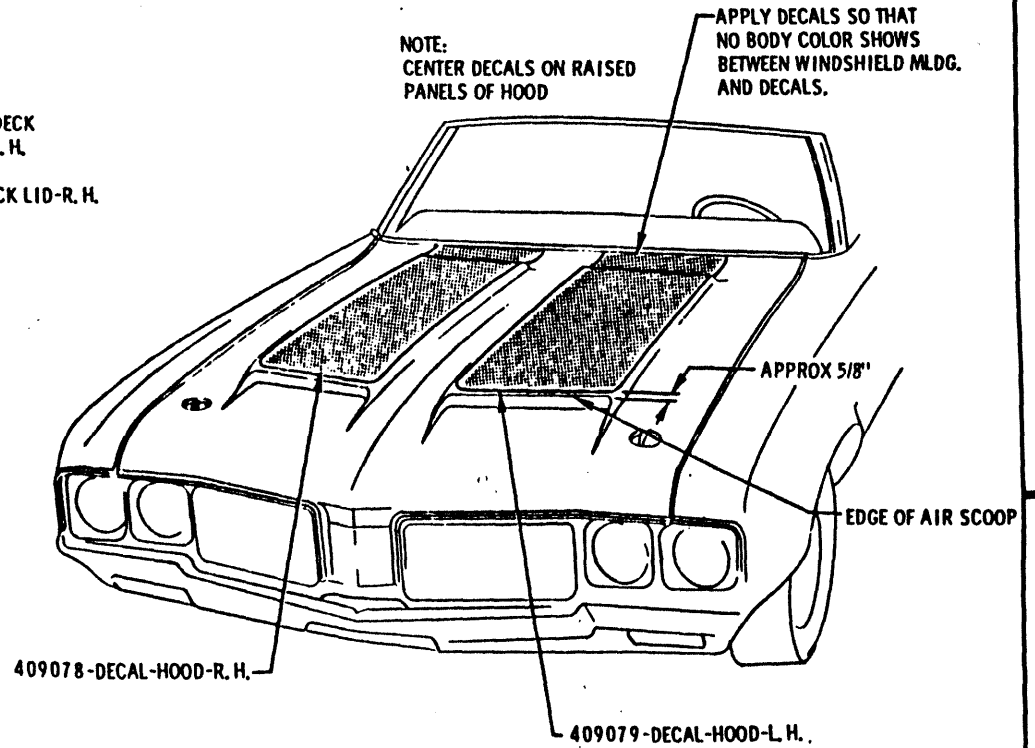
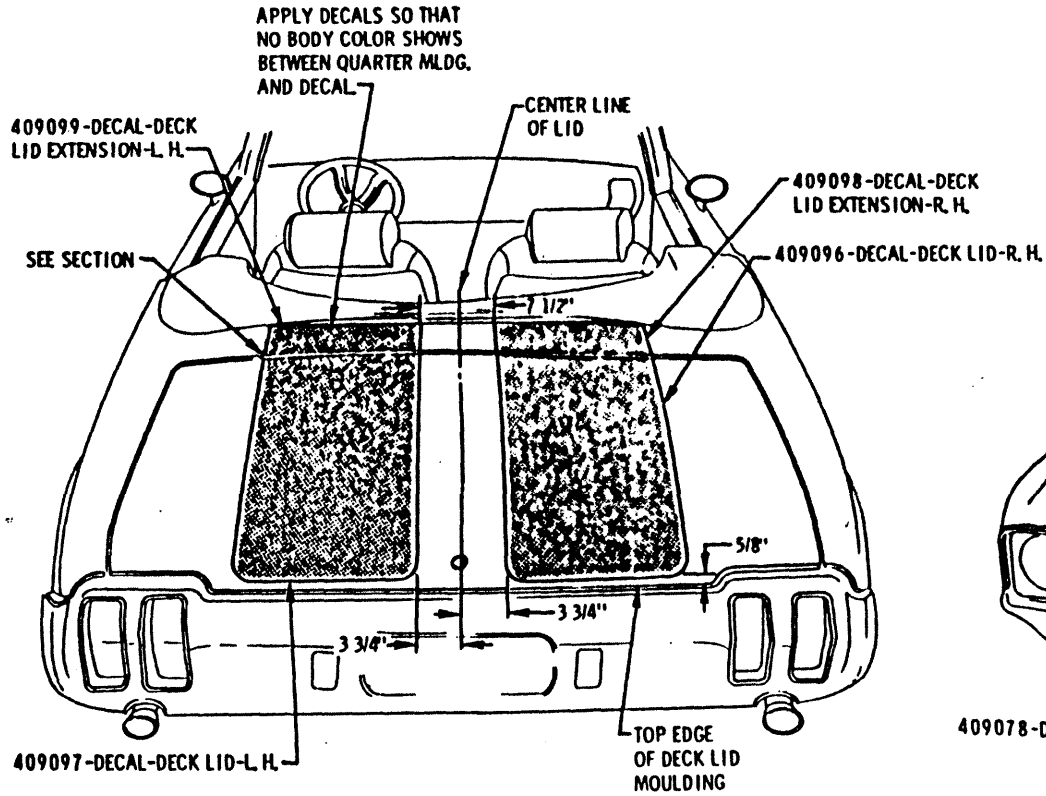
NOTE:

- 1. MAINTAIN A 3/4" CONSTANT SPACE BETWEEN WHEEL HOUSING DECALS AND MOULDINGS (FRONT AND REAR)
- 2. WHEEL HOUSING DECALS MUST MATCH EXACTLY WITH ADJOINING DECALS AT POINTS OF INTERSECTION.
- 3. DOOR DECALS MUST ALIGN EXACTLY WITH ADJOINING DECALS.

(4267-4467)

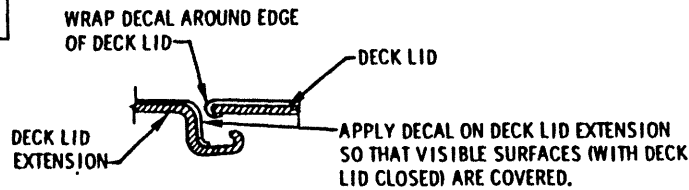
▲
▲
▲
▲
FULLY DRIVEN, SEATED AND NOT STRIPPED

DATE				SYMBOL				REVISION				DR. CK.				DATE				SYMBOL				REVISION				DR. CK.				DATE				SYMBOL				REVISION				DR. CK.			
																TITLE INDIANAPOLIS PACE CAR - BODY SIDE DECALS																															
																DATE MAR 6 1970				FIRST USED 1970				OLDSMOBILE PRODUCT INFORMATION MANUAL				MANUAL SEC. 35Y74				PAGE 104															
																DR. BY B. PARKER				CHECKED [Signature]				APPR. [Signature]				SERIES A				PART NO. 404411															
																3-23-70 A DIMENSIONS REVISED B.P.				3-10-70 A DIMENSION REVISED B.P.																											



TYPICAL APPLICATION OF DECK DECALS

NOTE: DECK LID DECALS ARE PART OF KIT 409086



TYPICAL SECTION THROUGH DECK LID AND DECK LID EXTENSION

TYPICAL APPLICATION OF HOOD DECALS

NOTE: HOOD DECALS ARE PART OF KIT 409077

(4267-4467)

▲
▲
▲
▲
FULLY DRIVEN, SEATED AND NOT STRIPPED

DATE	SYM	REVISION	DR	CK	DATE	SYM	REVISION	DR	CK	TITLE	FIRST USED	OLDSMOBILE PRODUCT INFORMATION MANUAL	MANUAL NO.	PAGE
										INDIANAPOLIS PACE CAR - HOOD & DECK-LID DECALS	MAR 6, 1970	1970	35Y74	106
										DR BY B. PARKER				
										CHECKED <i>[Signature]</i>				
										APPR. <i>[Signature]</i>				
											REV.	SERIES	PART NO.	
												A	404411	