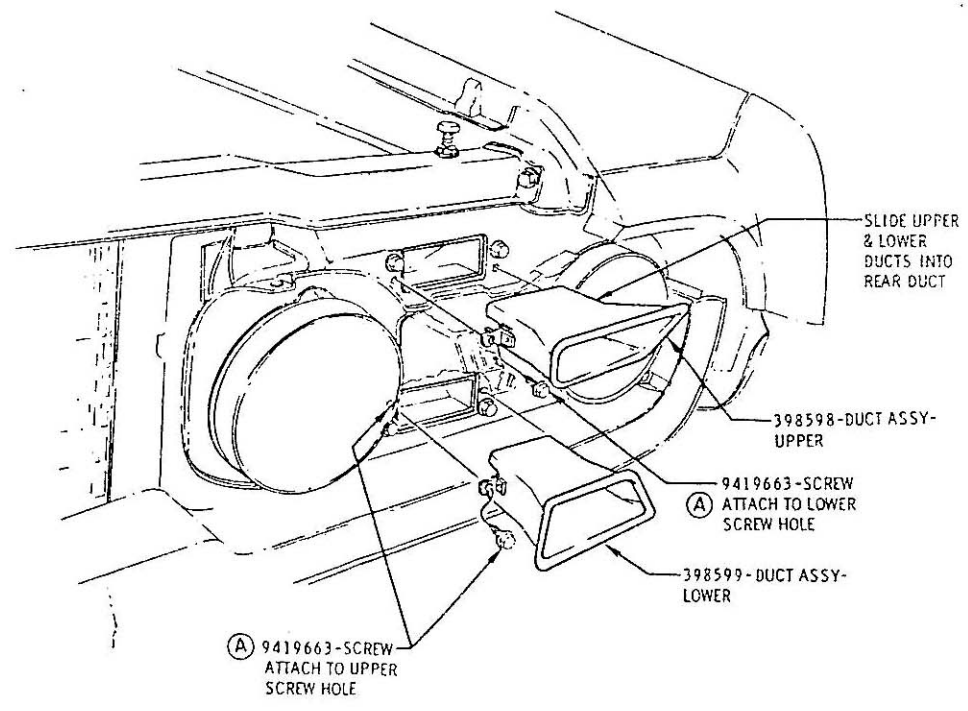


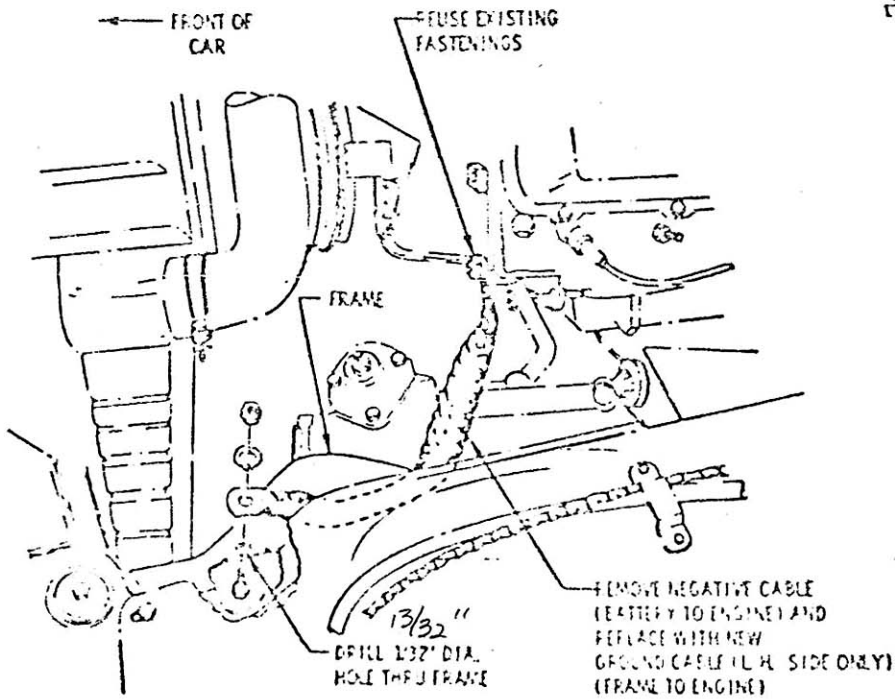
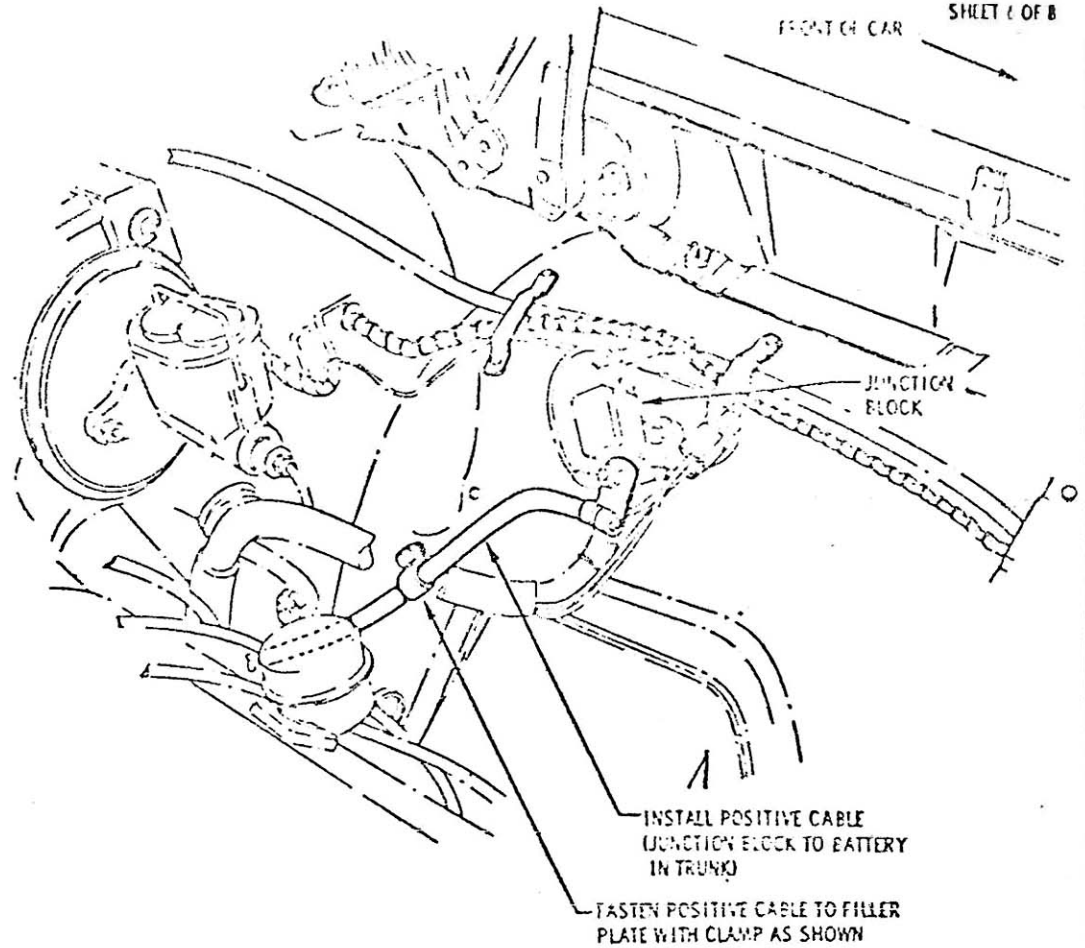
REAR DUCT ASSY TO RADIATOR SIDE
BAFFLE
L. H. SHOWN-R. H. OPPOSITE

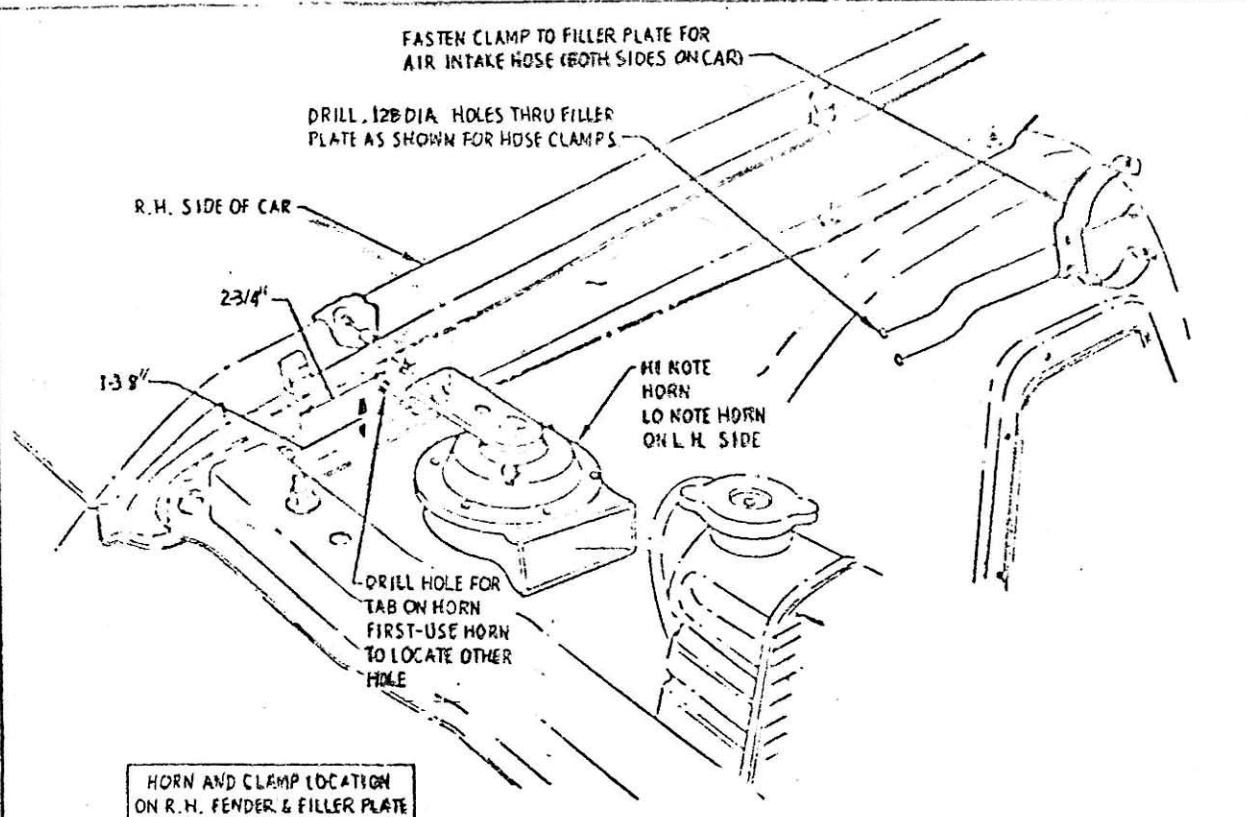


DUCT ASSY-UPPER AND LOWER
TO SIDE BAFFLE & REAR DUCT
L. H. SHOWN-R. H. OPPOSITE

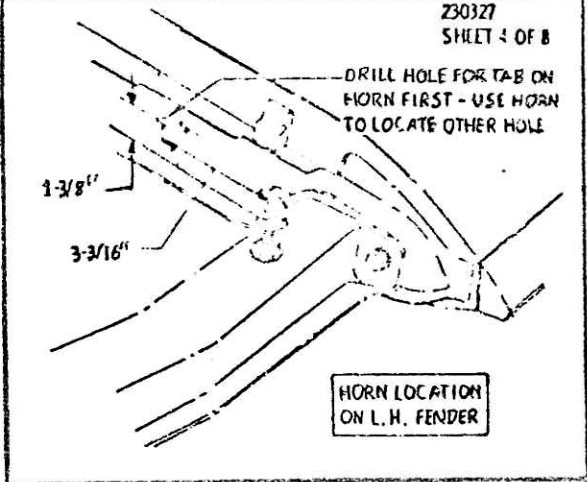
AIR INLET DUCTS

DATE	SYM	REVISION	DR	CK	DATE	SYM	REVISION	DR	CK	DATE	SYM	REVISION	DR	CK	APPR	TITLE	DATE	FIRST USED	OLDSMOBILE PRODUCT INFORMATION MANUAL	MANUAL SECTION	PAGE
																OUTSIDE AIR INDUCTION SYSTEM	NOV. 5, 1966	1967		35W30	1.10
					2-9-67	B	WAS 398596-7 SIDE BAFFLE	H	DT							CHECKED <i>Vita</i>					
					2-3-67	A	WAS 9419327-SCREW	B	DT							APPR <i>Ed. [unclear]</i>					
																				SERIES	PART NO.
																				A	394435

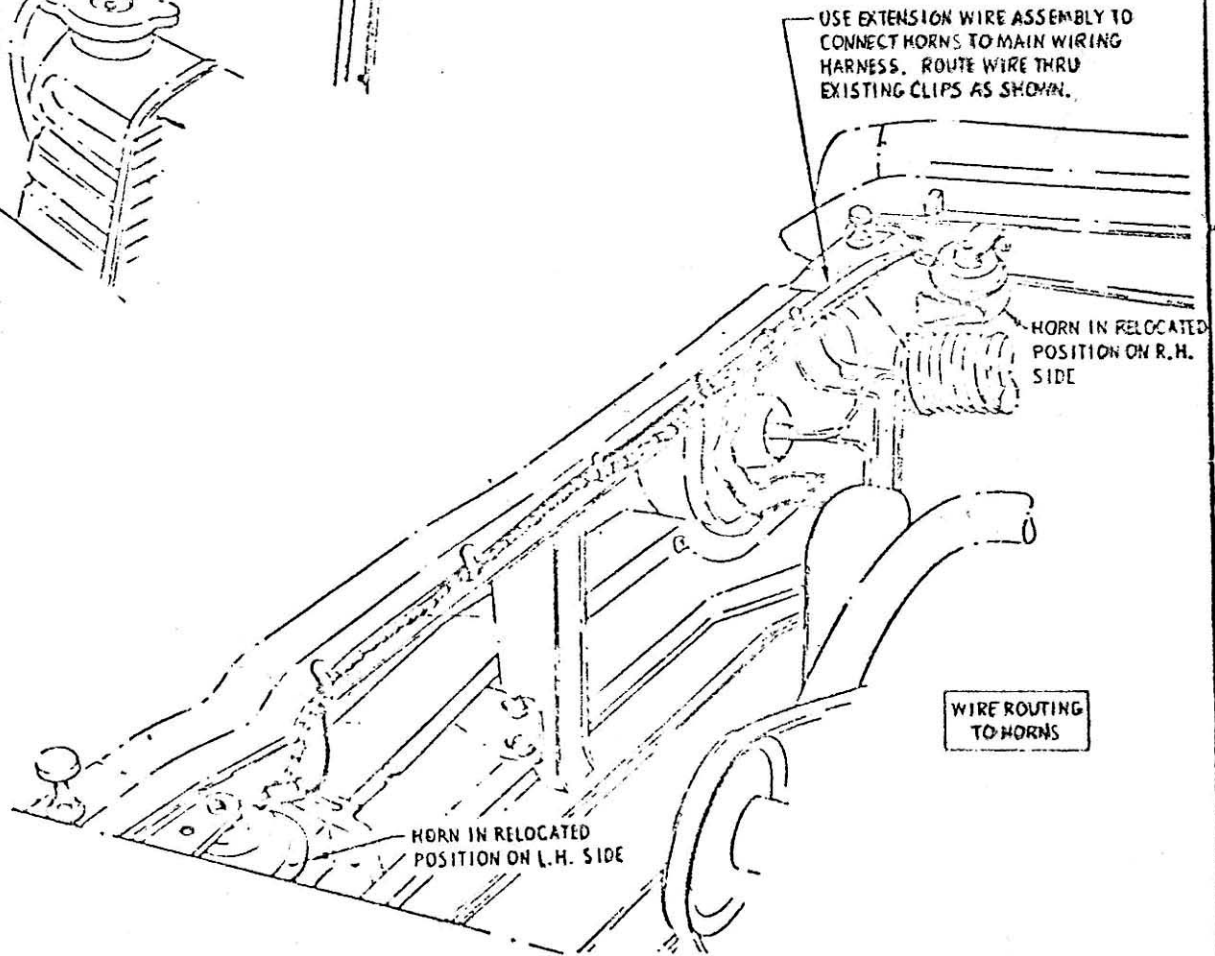




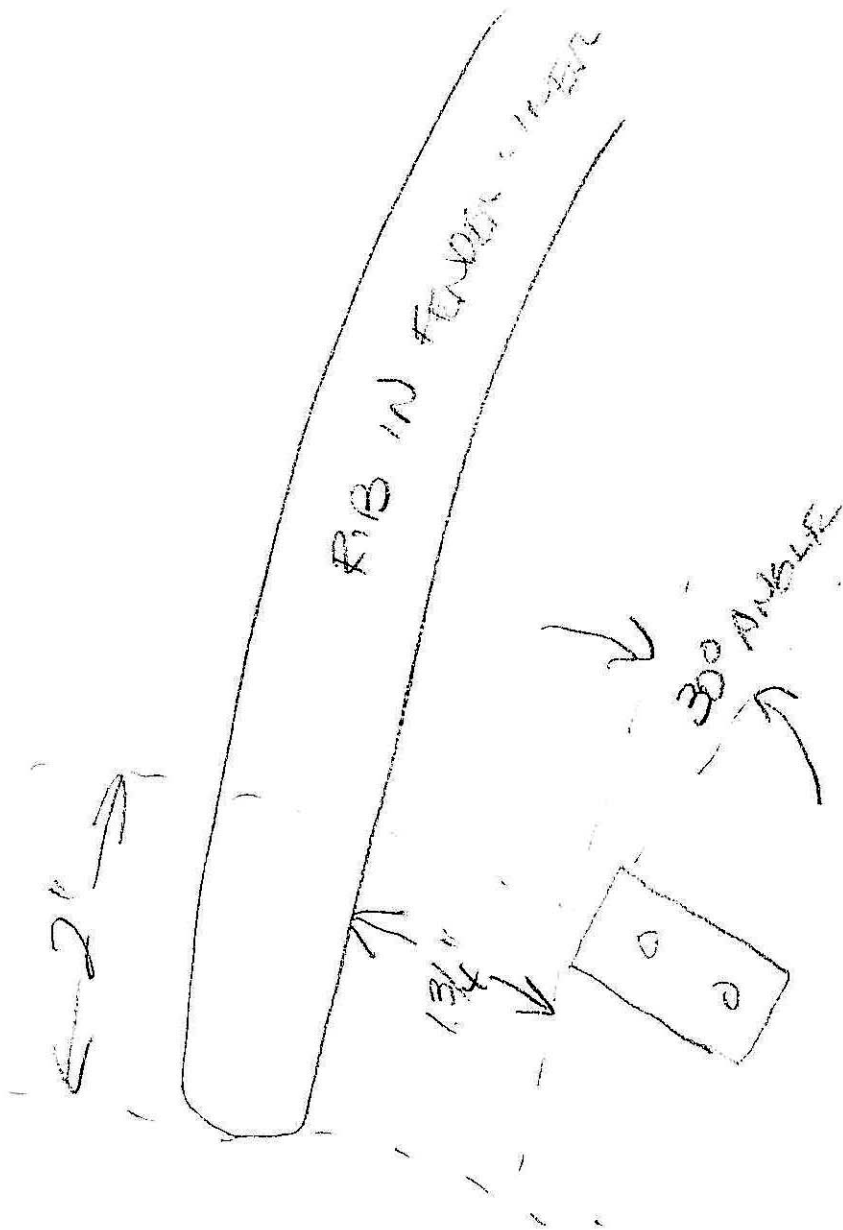
HORN AND CLAMP LOCATION ON R. H. FENDER & FILLER PLATE



HORN LOCATION ON L. H. FENDER



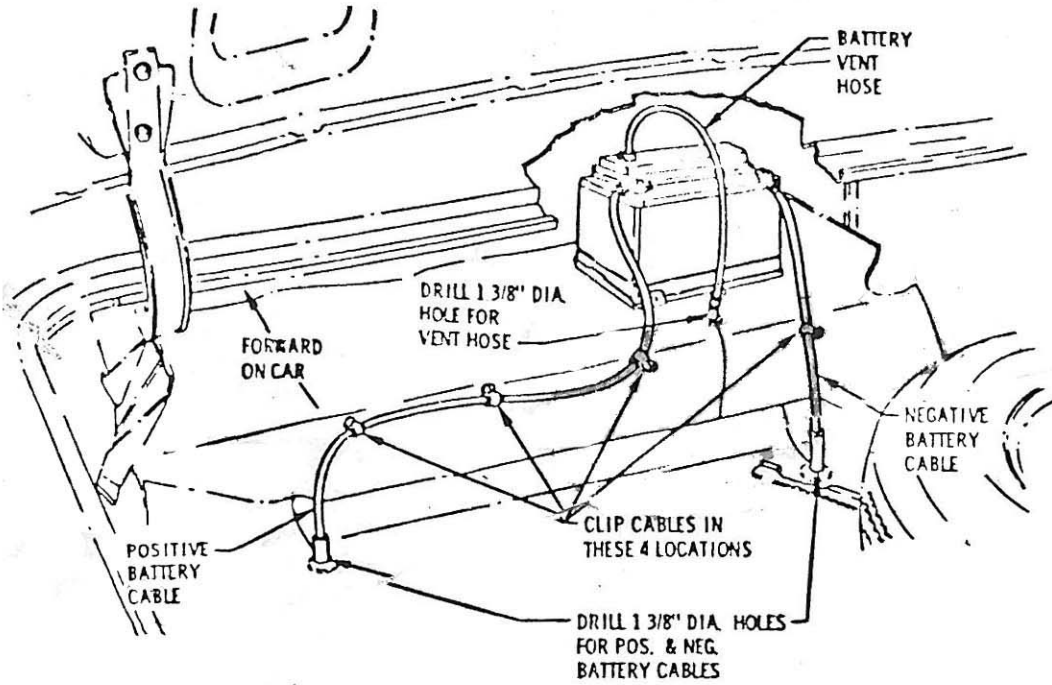
WIRE ROUTING TO HORNS



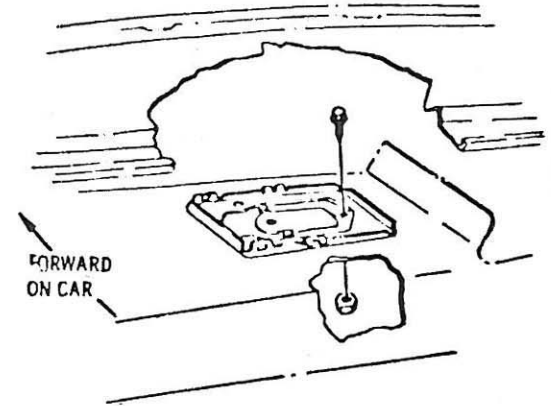
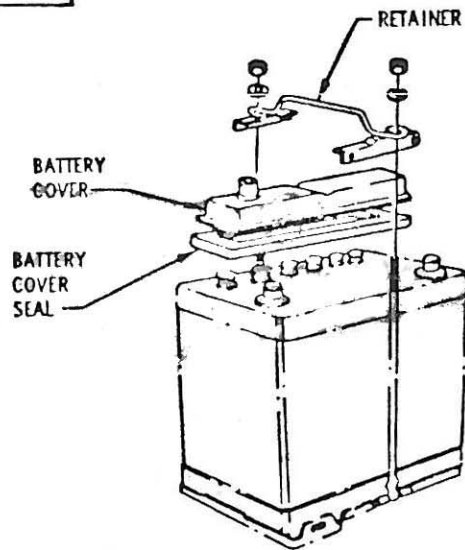
RH SIDE SHOWN (PASS SIDE)
 LH SIDE OPPOSITE (DRIVER'S SIDE)

FILLER PLATE CLAMP
 LOCATION

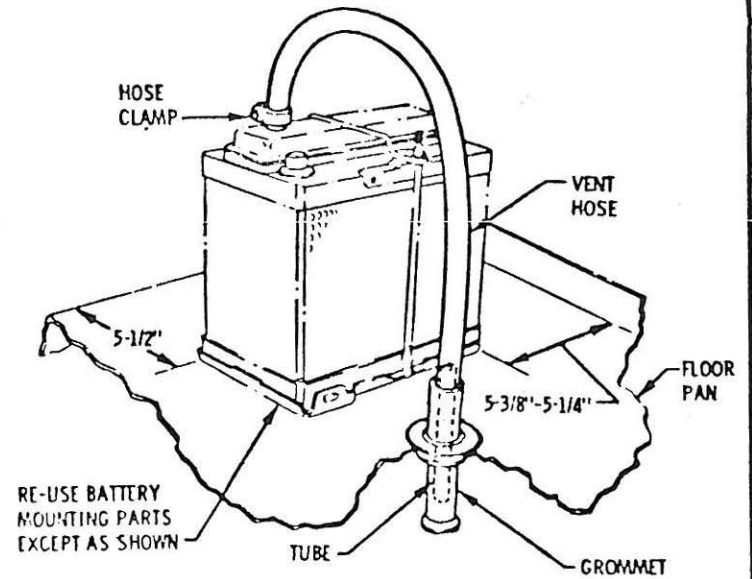
'66 W30



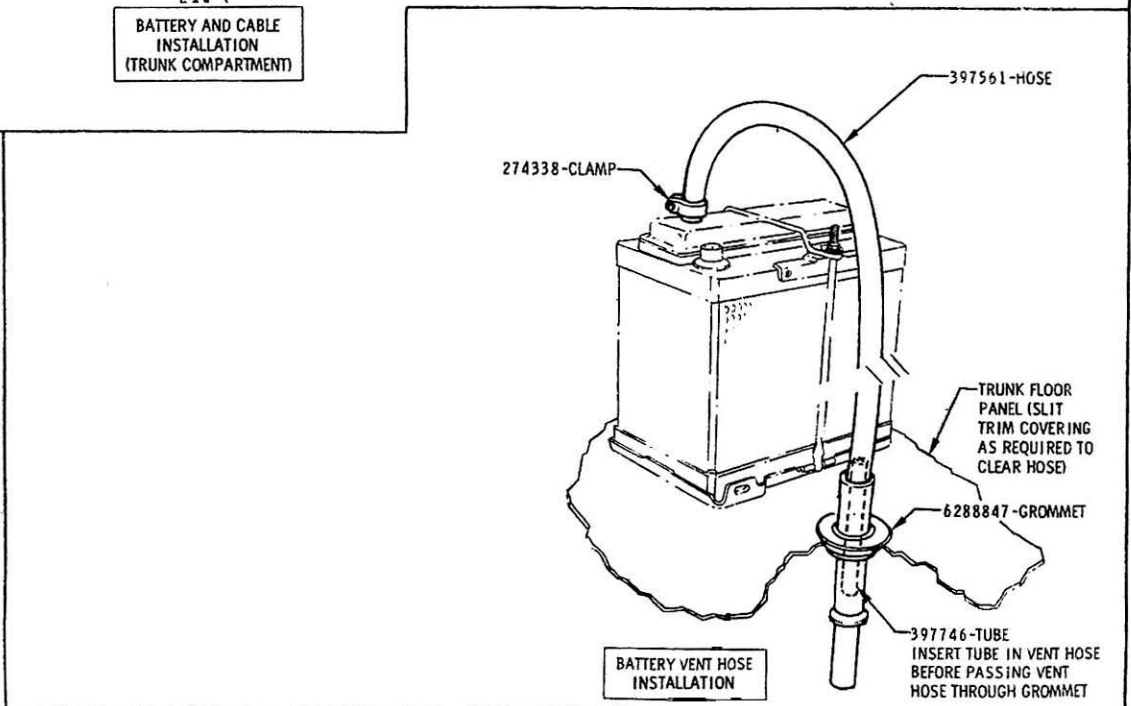
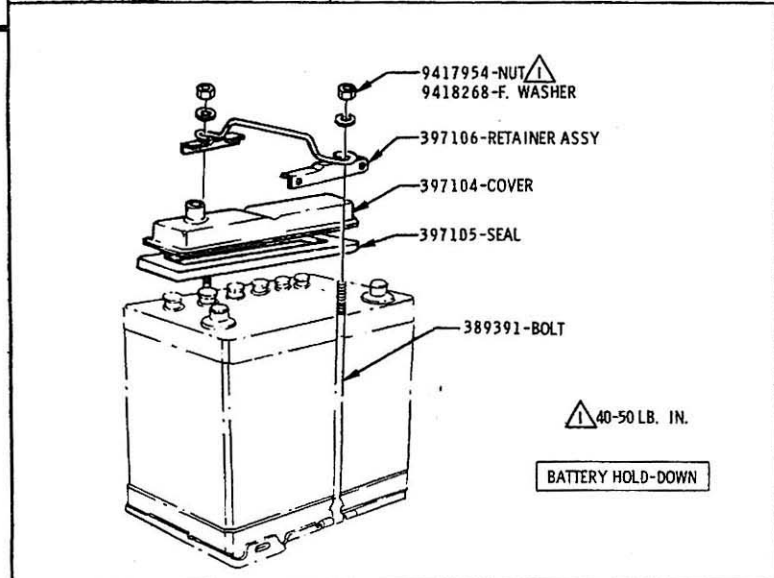
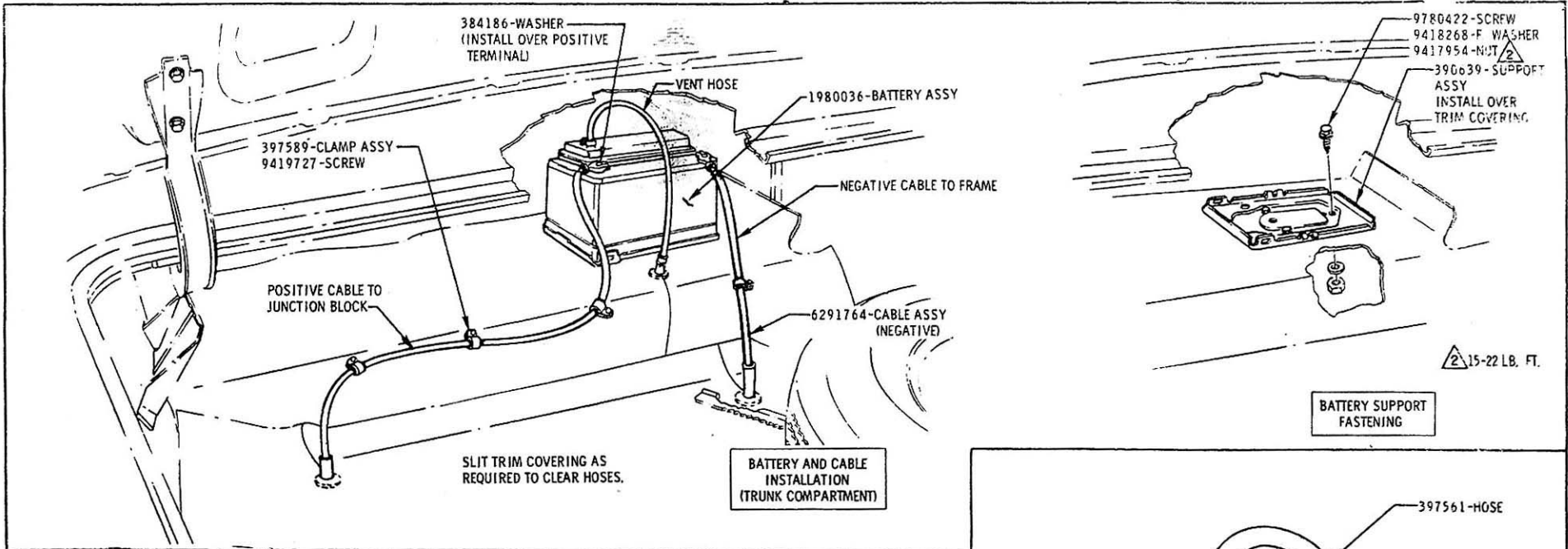
BATTERY RELOCATED IN TRUNK



BATTERY TRAY RELOCATION



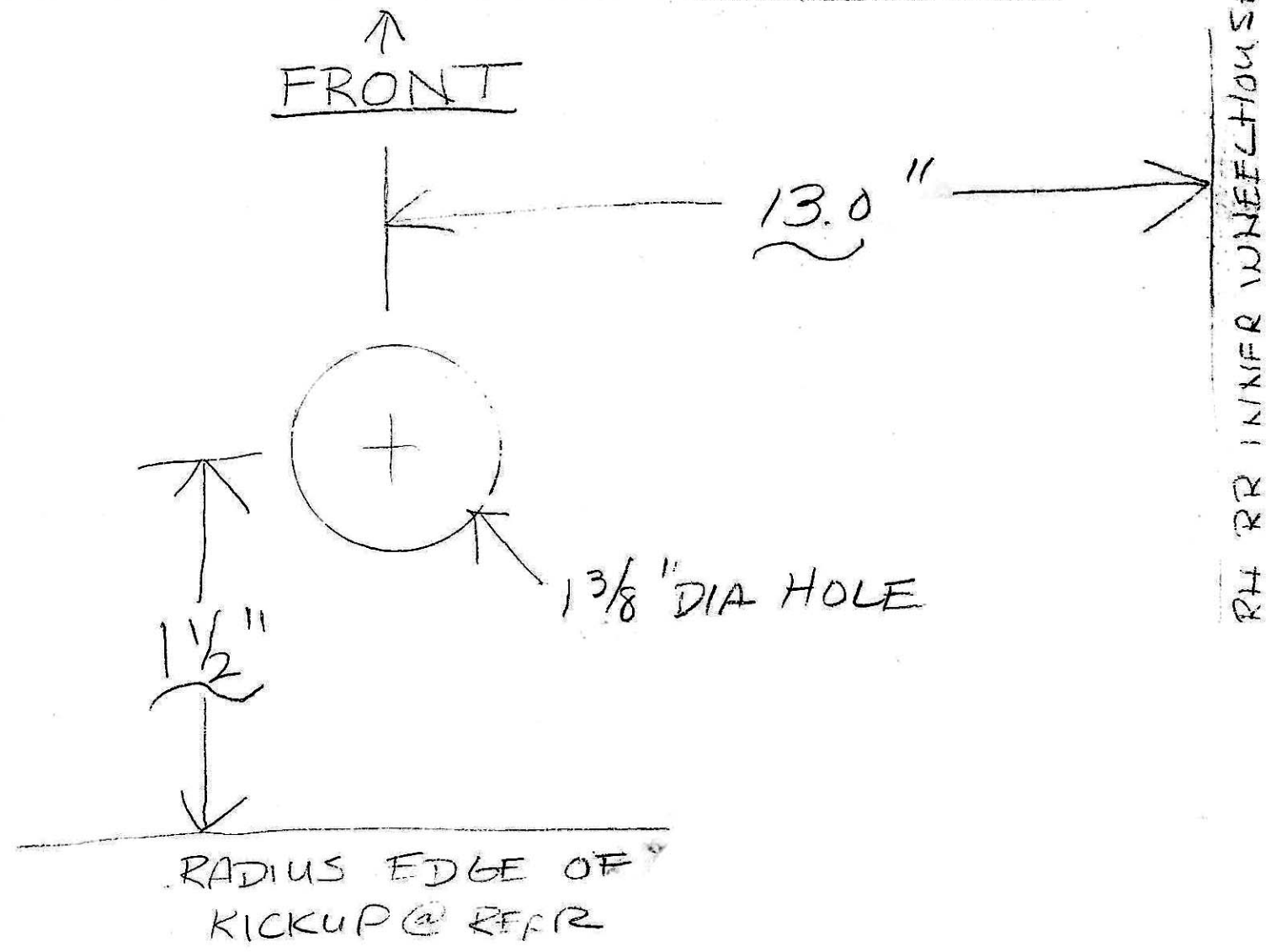
VENT HOSE ROUTING



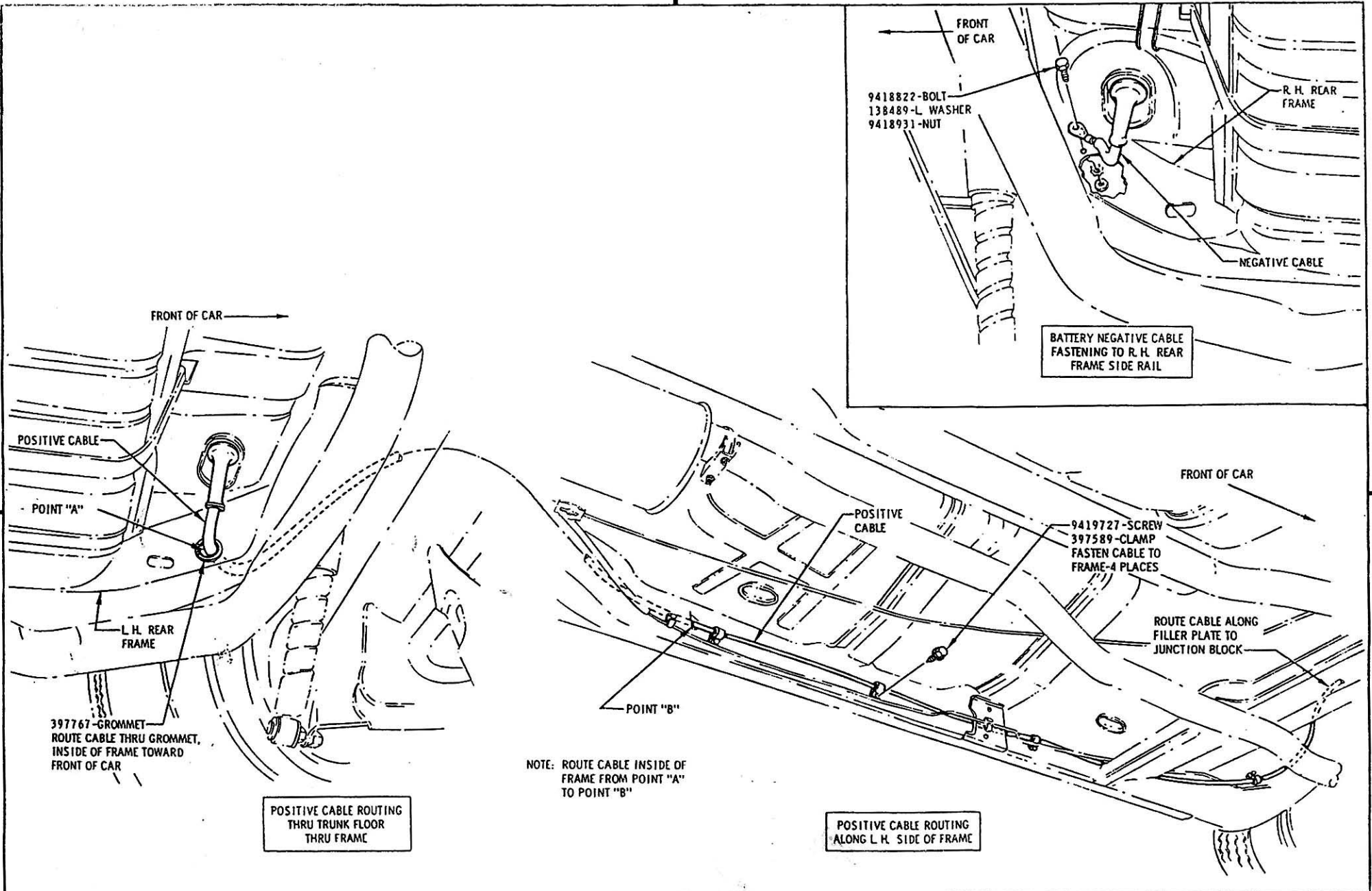
DATE	SYM	REVISION	DR. CK.	DATE	SYM	REVISION	DR. CK.	DATE	SYM	REVISION	DR. CK.	TITLE	FIRST USED	OLDSMOBILE PRODUCT INFORMATION MANUAL	MANUAL SECTION	PAGE
												OUTSIDE AIR INDUCTION SYSTEM	1967		35W30	1.16
												DATE NOV. 5, 1966	REF.	SERIES A	PART NO. 394435	
												DR. BY B.B. PARKER				
												CHECKED JLM				
												APPR.				
												APPR. <i>[Signature]</i>				

12/21/92

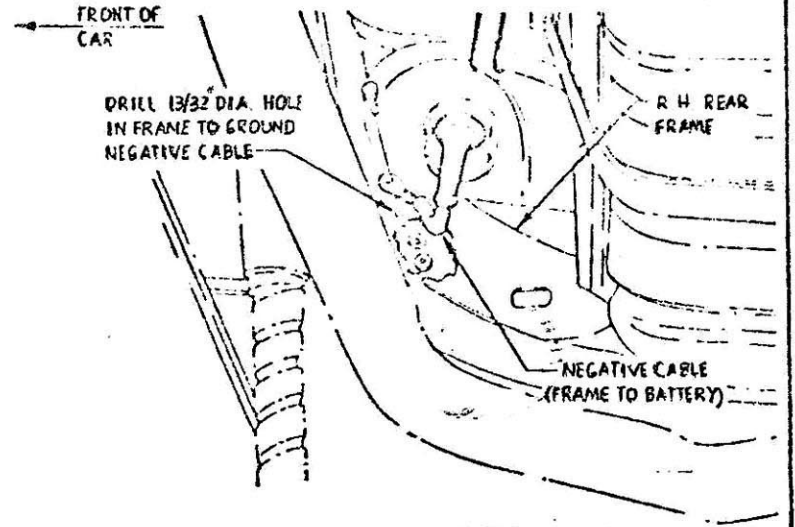
VENT GROMMET HOLE LOCATION



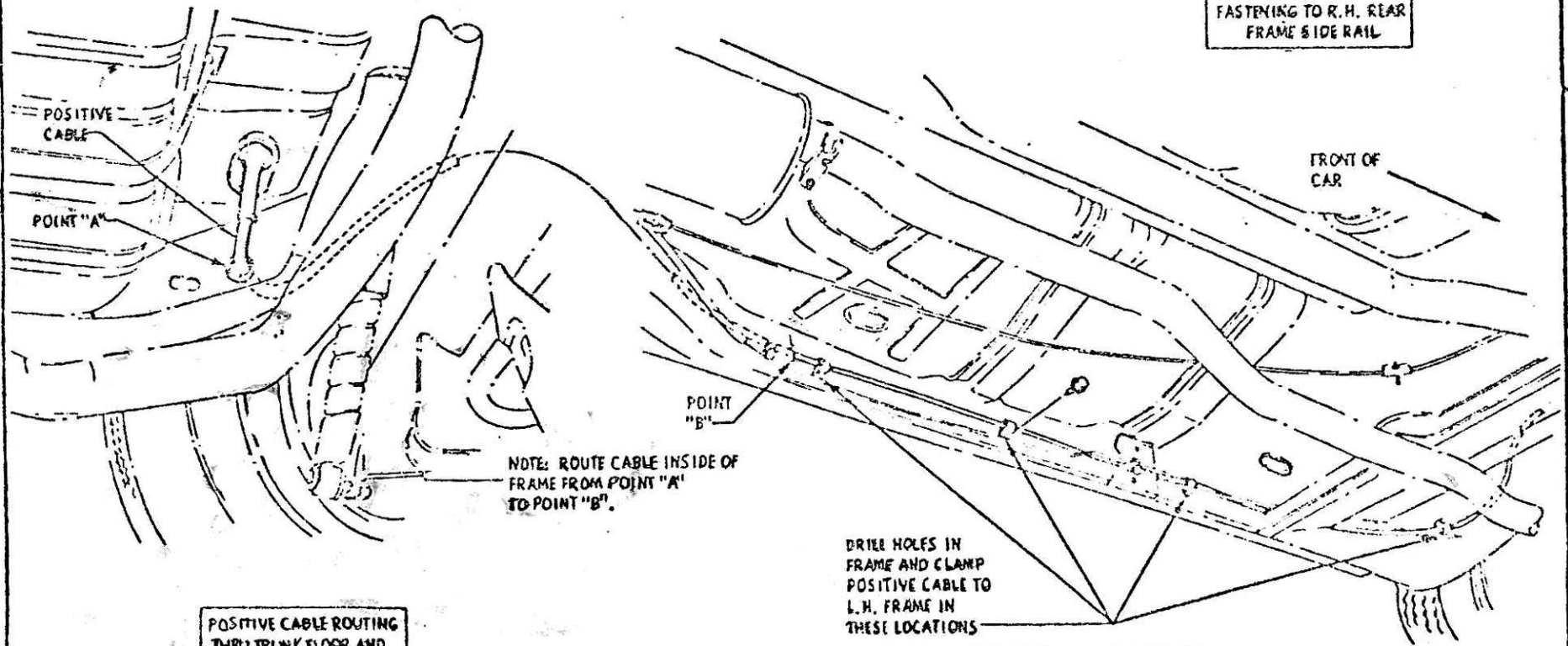
~ = OUT OF SCALE



												TITLE		OUTSIDE AIR INDUCTION SYSTEM									
												DATE	NOV. 5 1966	FIRST USED	1967	OLDSMOBILE PRODUCT	35W30	MANUAL SECTION	1.17	PAGE	1.17		
												DR. BY	B. B. PARKER	CHECKED	JTB	APP.		REF.		SERIES	A	PART NO.	394435
DATE	SYM	REVISION	DR	CK	DATE	SYM	REVISION	DR	CK	DATE	SYM	REVISION	DR	CK	APP.								



BATTERY NEGATIVE CABLE FASTENING TO R. H. REAR FRAME SIDE RAIL



NOTE: ROUTE CABLE INSIDE OF FRAME FROM POINT "A" TO POINT "B".

POSITIVE CABLE ROUTING THRU TRUNK FLOOR AND THRU FRAME

POSITIVE CABLE ROUTING ALONG L.H. SIDE OF FRAME

WORDING TRACED