

# '70 BRONCO BY FORD

ALL-PURPOSE 4-WHEEL-DRIVE VEHICLES



## BRONCO— the rugged, adventuresome breed of 4-wheeler

Bronco is designed and built to get through on tough off-road trips where other vehicles leave off. Bronco can get up, over, around or through obstacles that would stop others.

From every angle, Bronco has what it takes and then some! Approach, breakover and departure angles are all engineered to free you from road-bound travel. Identical-track front and rear axles make the going easier. Front wheels break the path through snow or sand, and the rear wheels follow right through. You get a smoother ride and have more power in reserve for the really bad spots.



Sport Bronco Wagon



## Choose your own brand of comfort with a Ford Bronco

Bronco combines solid strength with surefire comfort, convenience and utility. The attractive interior is roomy and uncluttered. Handsome all-vinyl, full-width seat, fresh air

heater and defroster, lockable glove compartment, padded instrument panel, energy-absorbing sun visors and vinyl-coated rubber floor mat are all standard. Special Sport models are available for both Bronco Wagons and Pickups.

Body design and suspended foot pedals help seal out noise, dust and road splash. Eight strategically located rubber-cushion body

mounts soak up ground shock and vibration for a softer, quieter ride.

Bronco's convenient transmission shift lever is in the familiar steering-column location. Simple, floor-mounted T-bar transfer case control allows shifting into 4-wheel drive without stopping or clutching. And positive-lock design helps prevent accidental jumping out of 4-wheel drive.



Sport Bronco interior

(Roofs have been removed on Broncos illustrated below to show seating arrangements)



**Front full-width seat.** A spacious, three-passenger seat is standard on all Broncos. Upholstered in attractive all-vinyl, the seat has a travel adjustment of five inches.



**Front bucket seats.** For extra comfort and sports flair, you can select pleated-vinyl bucket seats. Both bucket seats are adjustable with five inches of fore and aft travel.



**Bucket seats plus full-width rear seat.** With front buckets you can also have a matching pleated-vinyl two-passenger rear seat with integral armrests in Bronco Wagons.

### SPORT BRONCOS . . . WAGON AND PICKUP

Sport Bronco Wagon and Pickup features, in addition to or in place of standard features, include • Bright-metal "Sport Bronco" emblem • Pleated parchment vinyl front seat • Vinyl door trim panels with bright-metal moldings • Hardboard headlining with bright-metal retainer moldings (Wagon models) • Parchment vinyl simulated-carpet front floor mat with bright-metal retainers • Rear floor mat

included with optional rear seat • Cigarette lighter • Satin-finish horn ring • Bright-metal drip rail moldings • Bright-metal windshield and window frames • Bright-metal grille molding and tailgate release handle • Bright headlight, side light, reflector and taillight bezels • Argent-painted grille with bright F-O-R-D letters • Chrome bumpers, front and rear • Chrome front bumper guards • Bright-metal wheel covers (w/15-in. wheels only).

# BRONCO— the rugged, adventuresome breed of 4-wheeler

Bronco is designed and built to get through on tough off-road trips where other vehicles leave off. Bronco can get up, over, around or through obstacles that would stop others.

From every angle, Bronco has what it takes and then some! Approach, breakover and departure angles are all engineered to free you from road-bound travel. Identical-track front and rear axles make the going easier. Front wheels break the path through snow or sand, and the rear wheels follow right through. You get a smoother ride and have more power in reserve for the really bad spots.

Ford's exclusive Mono-Beam front suspension is simple and sturdy, yet ever so smooth riding. Wide-track axles provide stability on the slopes and sharp turning maneuverability. High ground clearance and tough, protected undersides improve off-road reliability and stamina. All in all, Bronco is the sure way to reach those difficult job sites or faraway recreation spots.

Spirited Six or V-8 engines put plenty of power at each wheel for terrain-conquering performance through mud, snow or sand. Choice of short-roof pickup or full-roof wagon. Bronco Sport Wagon and Sport Pickup models are available for added dash and sports flair.

**Bronco has plenty of power** to storm hills, pull trailers, and plow deep drifts. Spry 170-cu. in. Six is standard for sure power with outstanding economy. While the optional 302-cu. in. V-8 puts 205 surging horses under the hood! Both engines are equipped for steep grades with special carburetor and fuel pump. Broncos feature optimum power to weight ratios for stay ahead performance on trails or turnpikes.

## Exclusive Mono-Beam suspension is built to take rough going ... and tame it!

Bronco is the smooth, sure one. Reliable Mono-Beam front suspension combines the greatest cross-country durability and

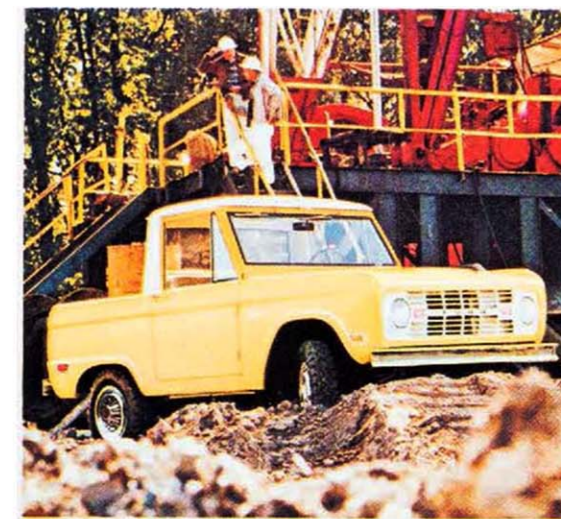
maneuverability with optimum riding comfort. Full-floating front drive axle with forged steel radius rods, rubber insulator mounts, and resilient coil springs form a strong suspension that thrives on punishment and levels out the bumps. A forged steel track bar extends across the front providing lateral stability.

Bronco's proven front-end design virtually eliminates wheel shimmy. And high-density polyurethane filled kingpin bearing caps automatically compensate for wear and help prolong bearing life. A special steering-linkage shock absorber is standard for added protection against severe jolts in off-road operations.



Sport Bronco Wagon

Bronco Pickup



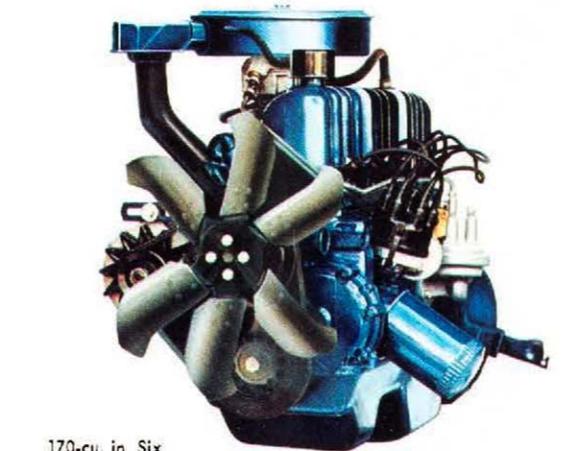
**Rugged Broncos** take you any place business calls. Drive right up to the roughest construction site or lead the way surveying. Broncos make excellent "command" cars and versatile utility vehicles.

Install power take-off, winch, battery cables, and Bronco is a great service station emergency vehicle. Add or remove a snowplow in no time flat; blade height is adjustable from inside cab. Kit for inside blade angle control is available.

**6000-mile maintenance schedule** for chassis lube, oil and oil filter change, and air cleaner service. Consult your Ford Dealer for full service information.



302-cu. in. V-8



170-cu. in. Six

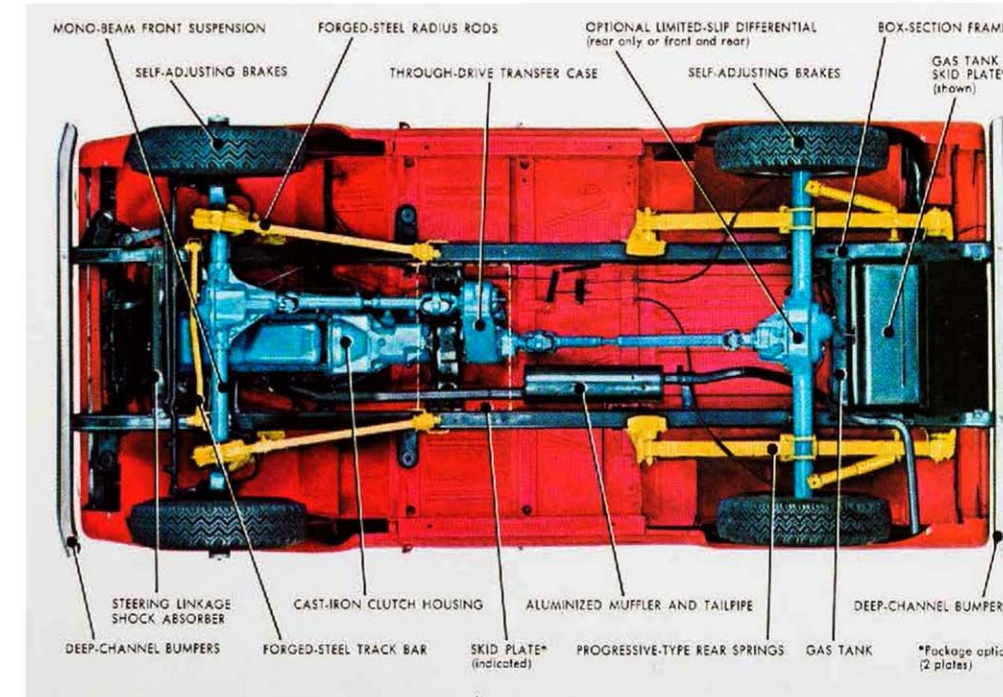


**True-track design.** Bronco gives you "identical track" front and rear axles for trail breaking ease. And Bronco has the optimum track width—plenty wide for slope-hugging stability, yet narrow enough for twisting paths.

**Nimble turning ease.** The wide-track front axle with 37° turn angle gives exceptional maneuverability. Broncos can turn in a small 33.6-foot circle—sharper than anything in their class!



**Off-road brute strength!** Bronco is rugged all the way through. Built especially for off-road jobs with all-welded box-section frame, forged steel radius rods, high-capacity axles and springs, channel bumpers and big brakes. Sturdy sheetmetal with reinforcements in side rocker panels, door frames and floor pillar junctions means strong, quiet bodies. Body sealing keeps out dust and road splash. Bronco's fully synchronized 3-speed transmission allows you to downshift without gear clash and maintain momentum through mud or snow.



Engine specifications	170-cu. in. Six (standard)	302-cu. in. V-8 (2V) (optional)
Max. Gross HP @ RPM	105 @ 4200	205 @ 4600
Max. Gross Torque (lbs.-ft.)	156 @ 2200	300 @ 2600
Bore and Stroke (in.)	3.5 x 2.94	4.0 x 3.0
Compression Ratio	8.7 to 1	8.6 to 1

Ground clearance angles and dimensions		
Tires	7.35 x 15	6.50 x 16
Angle of Approach (AA)	40.6°	45.0°
Angle of Departure (AD)	27.2°	31.2°
Ramp Breakover Angle (RBA)	29.1°	34.0°
Ground Clearance (GC)		
Front Axle	7.65"	9.25"
Rear Axle	6.6"	8.22"
Sprung	11.5"	13.3"
Turning Diameter (Bumper Clearance)	33.6'	33.6'

Equipment	Standard	Optional
Alternator:	38 amp.	55 amp.
Axle, Front: Capacity (lb.)—Ratio (to 1)	2500—4.10	Traction-Lok <sup>▲</sup>
Axle, Rear: Capacity (lb.)—Ratio (to 1)	2780—4.11	2780—3.50, 4.57; 3300*—3.50, 4.11
Ratios for 2780 and 3300 Traction-Lok		3.50, 4.11
Battery: (12 volts)	54 plates, 45 amp-hr	66 plates, 70 amp-hr
Brakes, Service: Dual hydraulic system	Self-adjusting	—
Size (in.) front	11 x 2	—
rear	10 x 2½	—
Brakes, Parking: Type	Cable actuation of rear brakes	—
Clutch: Dia. (in.)	9½ w/Six, 11 w/V-8	—
Engine:	170-cu. in. Six	302-cu. in. V-8
Frame: Section Modulus	2.04	—
Hubs, Front:	—	Free-running
Shock Absorbers: Front and rear	Double-acting	—
Springs, Front: Coil, Capacity @ pad (lb. ea.)	750 w/Six, 800 w/V-8	850, 1000
Springs, Rear: Capacity @ pad (lb. ea.)	Progressive 930	Progressive 1280
Steering:	Gemmer worm & roller w/linkage shock absorber	—
Tank, Fuel: (with optional evaporative control system)	14.5 gal. (12.7)	11.5 gal. (10.3) auxiliary with skid plate
Transfer Case: Constant mesh, Dana 20	2-spd. thru-drive	—
Transmission: Fully synchronized, Ford	3-spd. direct	—
Tires: (load range)	Tubeless 7.35 x 15 B†	Tube-type 6.50 x 16 6PR TT**
Wheels: No.—type—rim size (in.)	5—5-hole disc—5½K	5—5-hole disc—5K**

Bronco color choices: Raven Black, Wimbledon White, Candyapple Red, Royal Maroon, Sky View Blue, Harbor Blue, Diamond Blue, Acapulco Blue, Reef Aqua, Norway Green, Boxwood Green, Mojave Tan, Chrome Yellow, Pinto Yellow, Carmel Bronze Metallic, New Lime, Yucatan Gold. Bronco roofs are painted Wimbledon White providing a two-tone paint combination.

\*Includes 11" x 1¾" rear brakes. \*\*Provides maximum ground clearance and durability. Other tire sizes also available. For high flotation tire sizes see your Ford Dealer. †—Passenger type = 4PR TT = Truck type. ‡Requires free-running hubs and limited-slip rear axle.  
 Note: With standard equipment, Bronco has a GVW rating of 3900 lb. A special 4700-lb GVW package may be purchased as a unit. This package includes a Ford 3300-lb capacity rear axle with 11" x 1¾" rear brakes, 1280-lb. rear springs and 8.25 x 15 D 8PR tubeless tires.

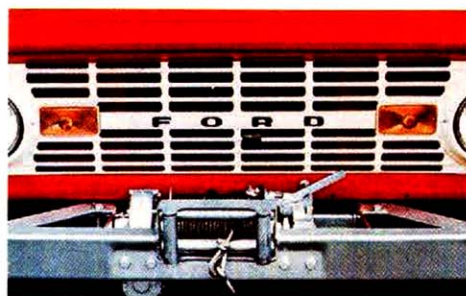
**Custom-Tailoring Options:** Convenience group (cigarette lighter\*, map light, inside 10" day/night mirror, horn ring\*) • One-pint oil bath air cleaner (302 V-8 only) • Right hand chrome rearview mirror • Bucket seats • Shoulder harness • Rear seat (Wagon w/bucket seat option) • Chrome bumpers\* • Skid plates for standard fuel tank and transfer case • Inside tailgate-mounted spare tire carrier (incl. with rear seat option) • Exterior rear-mounted swing-away tire carrier • Bright-metal wheel covers (15-inch wheels only)\* • High-flotation tires • Auxiliary 11½-gal. fuel tank with skid plate • Manual radio and antenna • Bright body side and tailgate moldings • Bright metal rocker panel molding • Dana free-running front hubs (manual) • Hand-operated throttle • Heavy-duty front axle carrier assembly is available by special order.

\*Standard on Sport models

**Dealer-Installed Accessories:** Power take-off (front-mounted) • Warn free running front hubs (manual or automatic) • Snowplows • Snowplow angling kits • Front auxiliary air springs • Front-mounted winch • Trailer hitch • Trailer towing mirror • Locking gas caps • Front tow hooks • Compass • Fire extinguisher • Tachometer • Two-way radio.



**Snowplow Blade** may be adjusted easily to various heights and angles (with kit) from within the cab.



**Front-Mounted Winch** with 150 feet of 5/16-inch cable is power take-off driven.



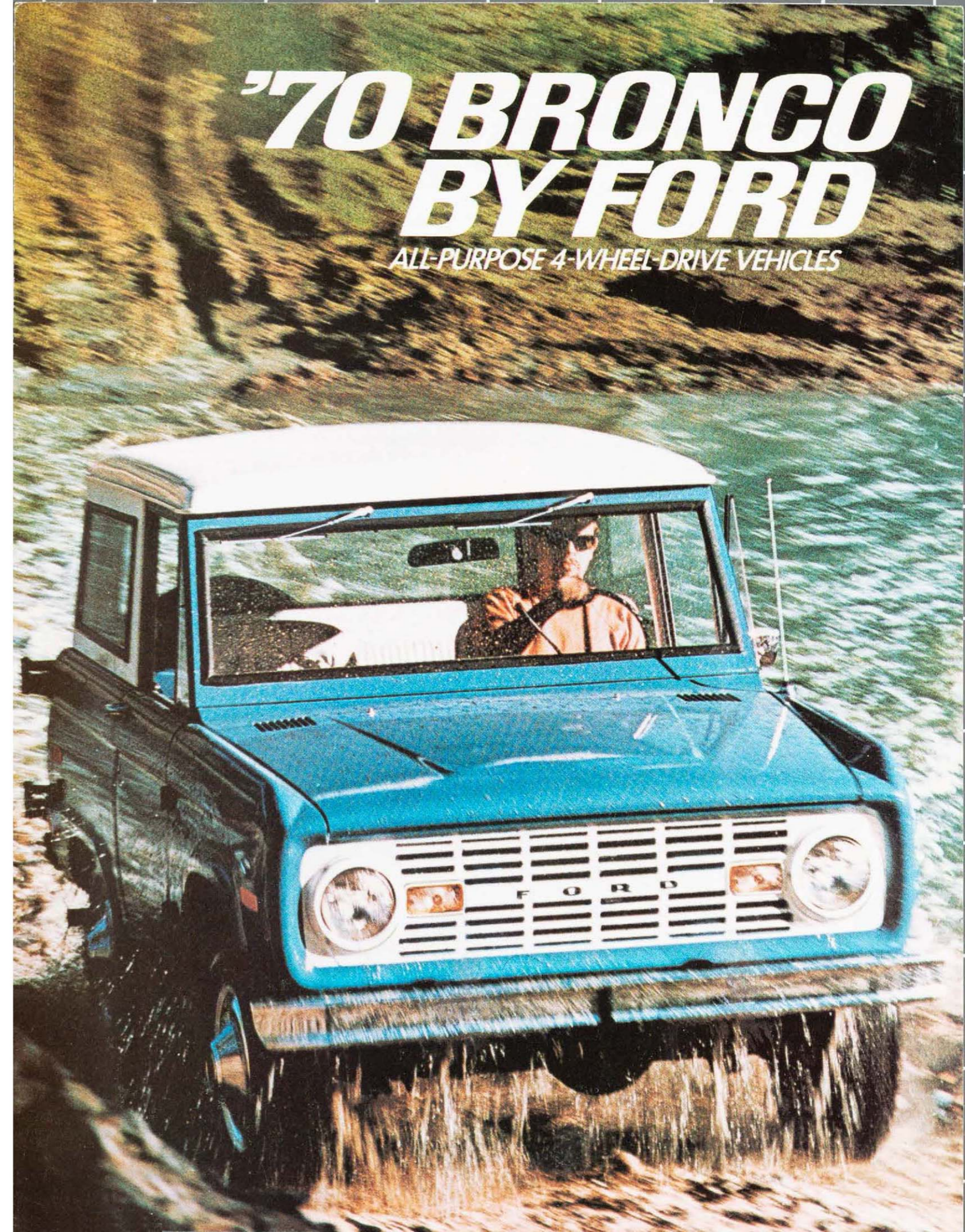
**Swing-Away Spare Tire Carrier** puts the spare tire out of the way for more cargo area, easier access.

Specifications, descriptions and illustrative material contained herein were as accurate as known at the time this publication was approved for printing. The Ford Division, Ford Motor Company reserves the right to discontinue models at any time or change specifications or design without notice and without incurring obligation. Specifications are applicable to units sold in the United States, its territories and possessions and may vary outside these areas. Some of the vehicle colors and paint combinations illustrated are special order options only. All options and accessories illustrated or referred to as optional or available in this publication are at extra cost. For the price of the model with the equipment you desire or verification of specifications contained herein, see your Ford Dealer.

**FORD BRONCO**

# '70 BRONCO BY FORD

ALL-PURPOSE 4-WHEEL-DRIVE VEHICLES



## Choose your own brand of comfort with a Ford Bronco

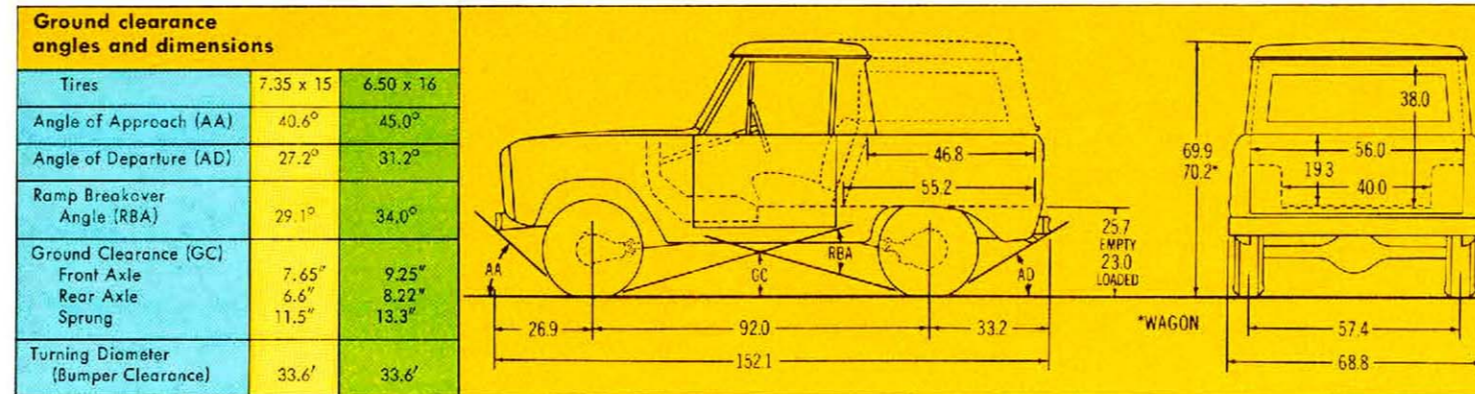
Bronco combines solid strength with surefire comfort, convenience and utility. The attractive interior is roomy and uncluttered. Handsome all-vinyl, full-width seat, fresh air

heater and defroster, lockable glove compartment, padded instrument panel, energy-absorbing sun visors and vinyl-coated rubber floor mat are all standard. Special Sport models are available for both Bronco Wagons and Pickups.

Body design and suspended foot pedals help seal out noise, dust and road splash. Eight strategically located rubber-cushion body

mounts soak up ground shock and vibration for a softer, quieter ride.

Bronco's convenient transmission shift lever is in the familiar steering-column location. Simple, floor-mounted T-bar transfer case control allows shifting into 4-wheel drive without stopping or clutching. And positive-lock design helps prevent accidental jumping out of 4-wheel drive.



Equipment	Standard	Optional
Alternator	38 amp.	55 amp.
Axle, Front: Capacity (lb.)—Ratio (to 1)	2500—4.10	Traction-Lok <sup>▲</sup>
Axle, Rear: Capacity (lb.)—Ratio (to 1)	2780—4.11	2780—3.50, 4.57; 3300—3.50, 4.11
Ratios for 2780 and 3300 Traction-Lok		3.50, 4.11
Battery: (12 volts)	54 plates, 45 amp-hr.	66 plates, 70 amp-hr.
Brakes, Service: Dual hydraulic system	Self-adjusting	
Size (in.) front	11 x 2	
rear	10 x 2 1/2	
Brakes, Parking: Type	Cable actuation of rear brakes.	
Clutch: Dia. (in.)	9 3/4 w/Six, 11 w/V-8	
Engine	170-cu. in. Six	302-cu. in. V-8
Frame: Section Modulus	2.04	
Hubs, Front:		Free-running
Shock Absorbers: Front and rear	Double-acting	
Springs, Front: Coil, Capacity @ pad (lb. ea.)	750 w/Six, 800 w/V-8	850, 1000
Springs, Rear: Capacity @ pad (lb. ea.)	Progressive 930	Progressive 1280
Steering	Gemmer worm & roller w/linkage shock absorber	
Tank, Fuel: (with optional evaporative control system)	14.5 gal. (12.7)	11.5 gal. (10.3) auxiliary with skid plate
Transfer Case: Constant mesh, Dana 20	2-spd. thru-drive	
Transmission: Fully synchronized, Ford	3-spd. direct	
Tires: (load range)	Tubeless 7.35 x 15 B†	Tube-type 6.50 x 16 6PR TT**
Wheels: No.—type—rim size (in.)	5—5-hole disc—5 1/2K	5—5-hole disc—5K**

Bronco color choices: Raven Black, Wimbledon White, Candyapple Red, Royal Maroon, Sky View Blue, Harbor Blue, Diamond Blue, Acapulco Blue, Reef Aqua, Norway Green, Boxwood Green, Mojave Tan, Chrome Yellow, Pinto Yellow, Carmel Bronze Metallic, New Lima, Yucatan Gold. Bronco roofs are painted Wimbledon White providing a two-tone paint combination.

<sup>†</sup>Includes 11" x 1 3/4" rear brakes. <sup>\*\*</sup>Provides maximum ground clearance and durability. Other tire sizes also available. For high flotation tire sizes see your Ford Dealer.  
<sup>TT</sup>—Truck type. <sup>\*\*</sup>Requires free-running hubs and limited-slip rear axle.  
 Note: With standard equipment, Bronco has a GVW rating of 3900 lb. A special 4700-lb. GVW package may be purchased as a unit. This package includes a Ford 3300-lb. capacity rear axle with 11" x 1 3/4" rear brakes, 1280-lb. rear springs and 8.25 x 15 D 6PR tubeless tires.

<sup>▲</sup>Standard on Sport models. <sup>▲</sup>Dealer-Installed Accessories: Power take-off (front-mounted) • Worn-free running front hubs (manual or automatic) • Snowplows • Snowplow angling kits • Front auxiliary air springs • Front-mounted winch • Tractor hitch • Trailer towing mirror • Locking gas caps • Front tow hooks • Compass • Fire extinguisher • Tachometer • Two-way radio.



Special Bronco interior

(Roofs have been removed on Broncos illustrated below to show seating arrangements)



**Front full-width seat.** A spacious, three-passenger seat is standard on all Broncos. Upholstered in attractive all-vinyl, the seat has a travel adjustment of five inches.



**Front bucket seats.** For extra comfort and sports flair, you can select pleated-vinyl bucket seats. Both bucket seats are adjustable with five inches of fore and aft travel.



**Bucket seats plus full-width rear seat.** With front bucket seats you can also have a matching pleated-vinyl two-passenger rear seat with integral armrests in Bronco Wagons.

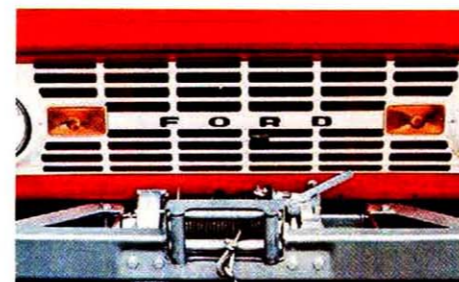
### SPORT BRONCOS . . . WAGON AND PICKUP

Sport Bronco Wagon and Pickup features, in addition to or in place of standard features, include • Bright-metal "Sport Bronco" emblem • Pleated parchment vinyl front seat • Vinyl door trim panels with bright-metal moldings • Hardboard headlining with bright-metal retainer moldings (Wagon models) • Parchment vinyl simulated-carpet front floor mat with bright-metal retainers • Rear floor mat

included with optional rear seat • Cigarette lighter • Satin-finish horn ring • Bright-metal drip rail moldings • Bright-metal windshield and window frames • Bright-metal grille molding and tailgate release handle • Bright headlight, side light, reflector and taillight bezels • Argent-painted grille with bright F-O-R-D letters • Chrome bumpers, front and rear • Chrome front bumper guards • Bright-metal wheel covers (w/15-in. wheels only).



**Snowplow Blade** may be adjusted easily to various heights and angles (with kit) from within the cab.



**Front-Mounted Winch** with 150 feet of 5/16-inch cable is power take-off driven.



**Swing-Away Spare Tire Carrier** puts the spare tire out of the way for more cargo area, easier access.

Specifications, descriptions and illustrative material contained herein were as accurate as known at the time this publication was approved for printing. The Ford Division, Ford Motor Company reserves the right to discontinue models at any time or change specifications or design without notice and without incurring obligation. Specifications are applicable to units sold in the United States, its territories and possessions and may vary outside these areas. Some of the vehicle colors and paint combinations illustrated are special order options only. All options and accessories illustrated or referred to as optional or available in this publication are at extra cost. For the price of the model with the equipment you desire or verification of specifications contained herein, see your Ford Dealer.

FORD BRONCO